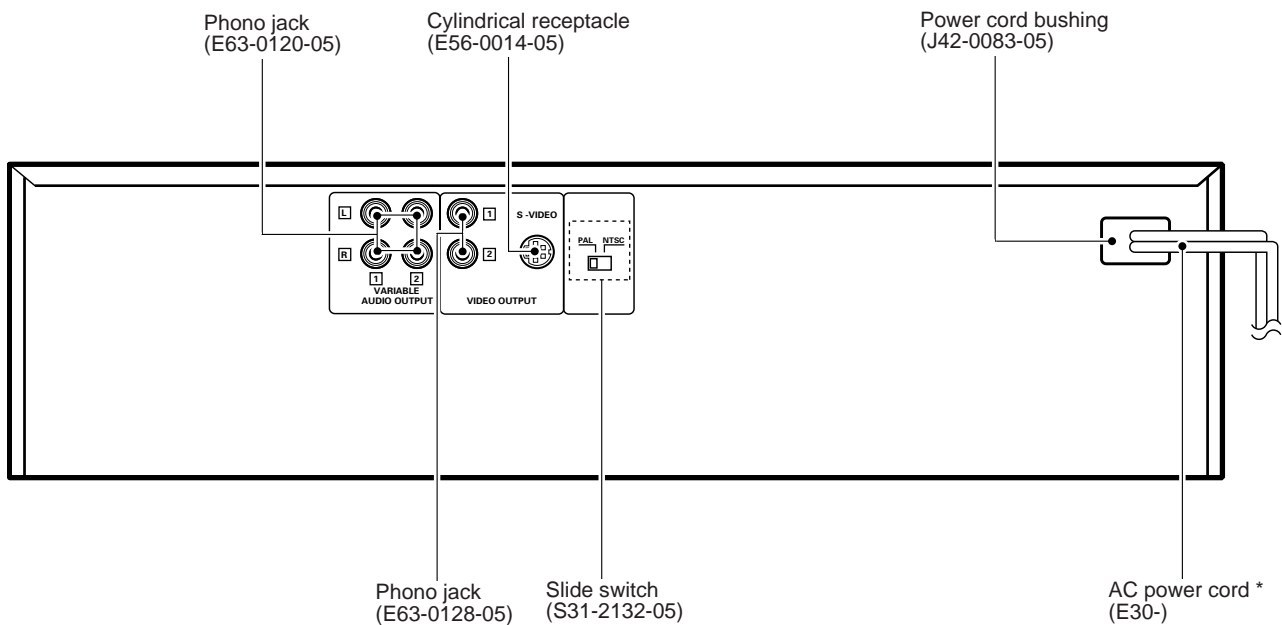
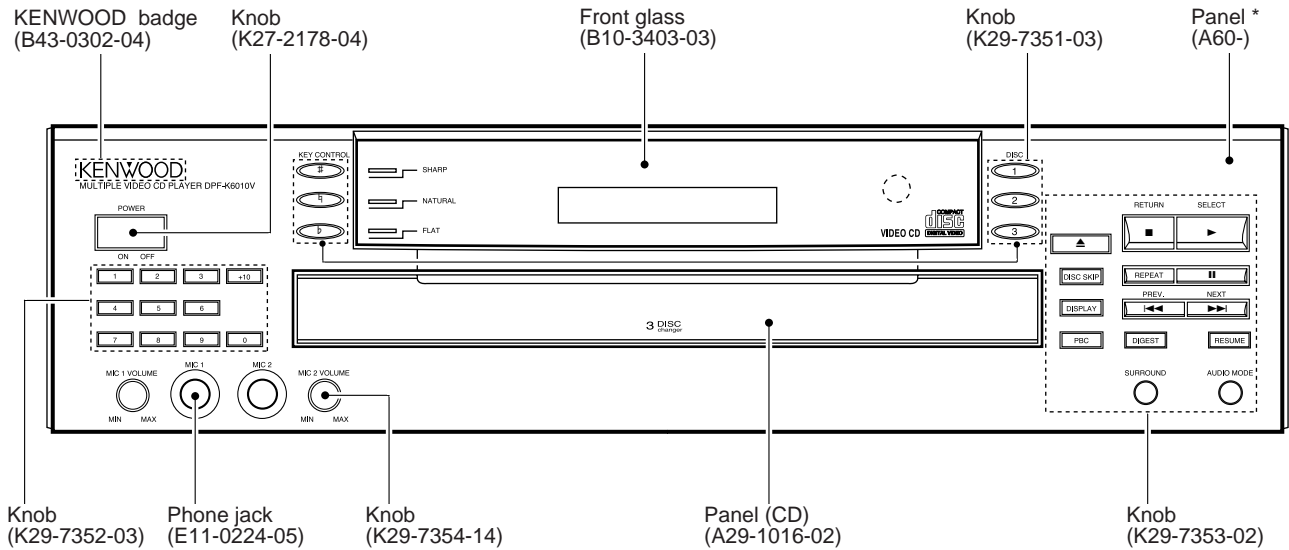


MULTIPLE VIDEO CD PLAYER
DPF-K6010V
 SERVICE MANUAL

KENWOOD

© 1998-8/B51-5471-00 (K/K) 399



* Refer to parts list on page 25.

In compliance with Federal Regulations, following are reproductions of labels on, or inside the product relating to laser product safety.

- Refer to page 12 between Adjustment and Pc board if you want to know CD mechanism exploded View.

KENWOOD-Corp. certifies this equipment conforms to DHHS Regulations No. 21 CFR 1040. 10, Chapter 1, Subchapter J.

DANGER : Laser radiation when open and interlock defeated. AVOID DIRECT EXPOSURE TO BEAM.



DPF-K6010V

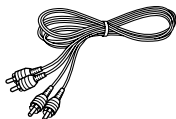
CONTENTS / ACCESSORIES / CAUTIONS

Contents

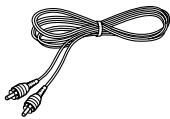
CONTENTS / ACCESSORIES / CAUTIONS.....	2	PC BOARD	13
DISASSEMBLY FOR REPAIR.....	3	SCHEMATIC DIAGRAM	17
BLOCK DIAGRAM	4	EXPLODED VIEW	24
CIRCUIT DESCRIPTION	5	PARTS LIST.....	25
ADJUSTMENT	10	SPECIFICATIONS	Back cover
EXPLODED VIEW	12		

Accessories

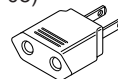
Audio cord (1)
(E30-0505-05)



Video cord (1)
(E30-1427-05)



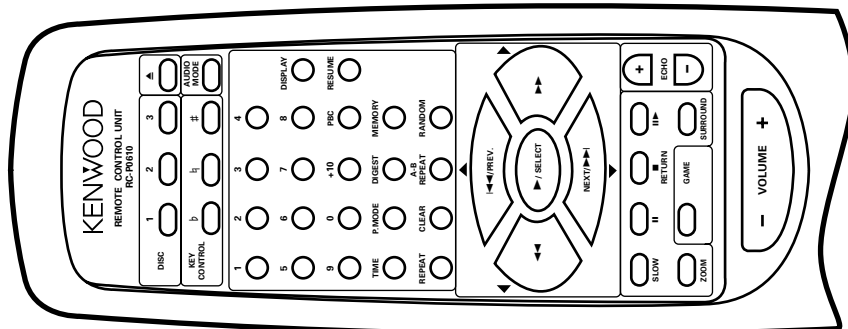
AC plug adaptor (1)
(E03-0115-05)



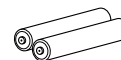
Use to adapt the plug on the power cord to the shape of the wall outlet.
(Accessory only for regions where use is necessary.)

Remote control unit (1)
(A70-1226-05) : RC-P0610

Battery cover (A09-1104-08)



Batteries (R03/AAA) (2)

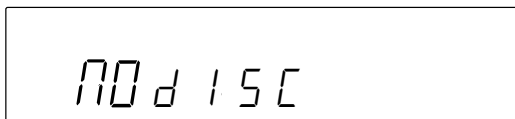


Cautions

Note related to transportation and movement

Before transporting or moving this unit, carry out the following operations.

1. Turn the unit ON but do not load a disc.
2. Wait a few seconds and verify that the display shown appears.



3. Wait until "no disc" is displayed and turn off the unit.

Operation to reset

The microcomputer may malfunction (impossibility to operate, erroneous display, etc.) when the connection cords are unplugged while the unit is ON or due to an external factor. In this case, execute the following method to reset the microcomputer and return it to normal condition.

Set the POWER switch to OFF, and after several seconds, set the POWER switch back to ON.

- Please be aware that resetting the unit will erase all stored information and return it to the factory settings.

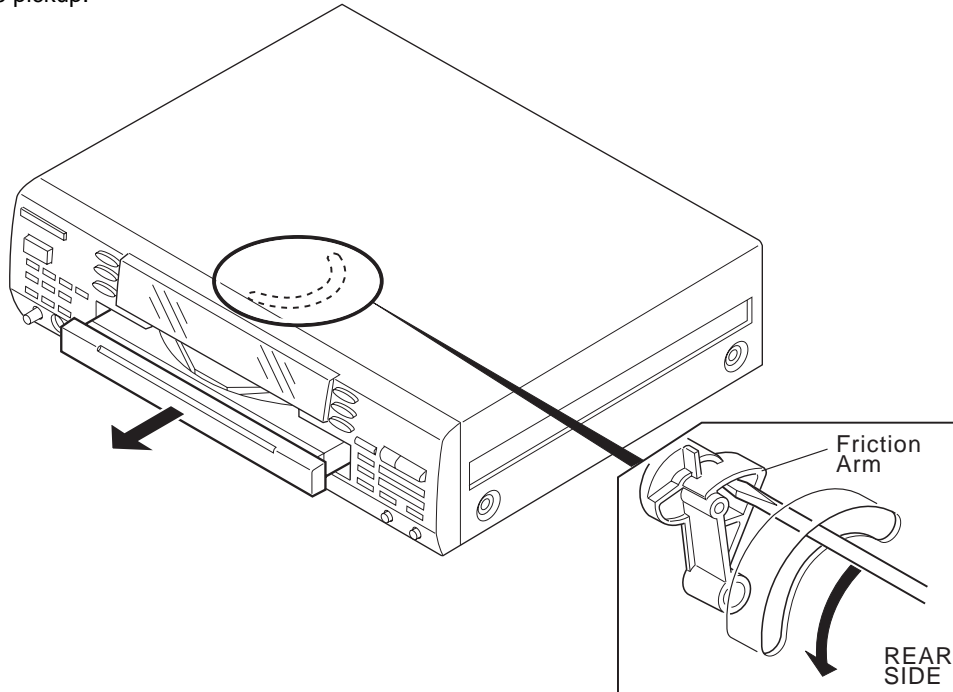
DISASSEMBLY FOR REPAIR

How to open the tray if not comes out.

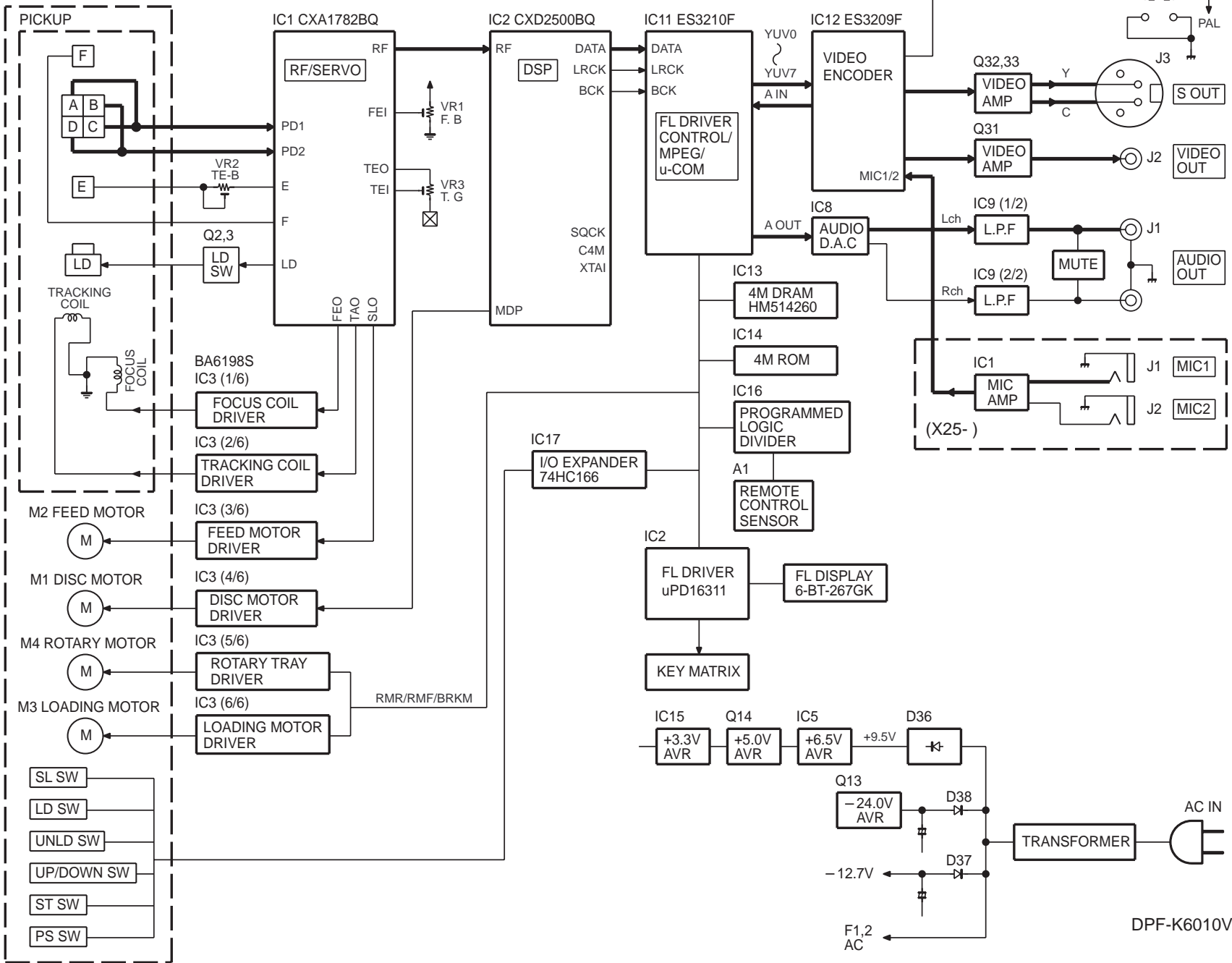
- (1) From the rear side of the CD mechanism, use a screw driver or the like to turn the friction arm fully counterclockwise.
- (2) Pull out the tray front wards by hand when the tray comes just out.

* As for details of items in the below, refer to RXD-F3 service manual (B51-5091-00).

- (1) How to detach the tray.
- (2) How to attach the tray.
- (3) Replacing the pickup.



(D40-1562-15)
(CDM-27)



BLOCK DIAGRAM

DPF-K6010V

DPF-K6010V

CIRCUIT DESCRIPTION

1. MPEG Microprocessor : IC11 (E3210F)

Pin description

No.	Name	I/O	Description
1	VDD	–	Voltage supply for 3.3V.
2	RAS	O	DRAM row address strobe (active low).
3	DWE	O	DRAM write enable (active low).
4~12	MA0~MA8	O	DRAM multiplexed row and column address bus.
13~28	DBUS0~DBUS15	I/O	DRAM data bus.
29	RESET	I	System reset (active low).
30	VSS	–	Ground.
31	VDD	–	Voltage supply for 3.3V.
32~39	YUV0~YUV7	O	Y is luminance, UV are chrominance data bus for screen Video interface. YUV (0~7) for 8 bit YUV mode.
40	VSYNC	I/O	Vertical sync for screen video interface, programmable for rising or falling edge.
41	HSYNC	I/O	Horizontal sync for screen video interface, programmable for rising or falling edge.
42	CPUCLK	I	RISC and system clock input. CPUCLK is used only if SEL PLL [1 : 0] = 00.
43	PCLK2X	I/O	Pixel clock ; two times the actual pixel clock for screen video interface.
44	PCLK	I/O	Pixel clock qualifier in for screen video interface.
45	(GFS) AUX0	I/O	GFS input from IC2 (CXD2500BQ).
46	(SQSO) AUX1	I/O	Inputs 80 bit Sub Q and 16 bit PCM peak-level data.
47	(VFD D) AUX2	I/O	Auxiliary control pins.
48	(MUTE) AUX3	I/O	"H" for muting, "L" for release.
49	(IRQ) AUX4	I/O	Auxiliary control pins.
50	VSS	–	Ground.
51	VDD	–	Voltage supply for 3.3V.
52	VFD L	I/O	Auxiliary control pins.
53	STB	I/O	Auxiliary control pins.
54	VFD CK	I/O	Auxiliary control pins.
55~62	LD0~LD7	I/O	RISC interface data bus.
63	LWR	O	RISC interface write enable (active low).
64	LOE	O	RISC interface output enable (active low).
65~67	LCS (3, 1, 0)	O	RISC interface chip select (active low).
68~79	LA0~LA11	O	RISC interface address bus.
80	VSS	–	Ground.
81	VPP	–	Digital supply voltage for 5V.
82~87	LA12~LA17	O	RISC interface address bus.
88	ACLK	I/O	Master clock for external audio DAC (8.192MHz, 11.2896MHz, 12.288MHz, 16.9344 MHz, and 18.432MHz).
89	AOUT/SEL PLL0	O I	Dual-purpose pin. AOUT is the audio interface serial data output Pins SEL PLL [1 : 0] select phase-lock loop (PLL) clock frequency CPUCLK for the ES3210 : 00 = bypass PLL. 01 = 54MHz PLL. 10 = 67.5MHz PLL. 11 = 81MHz PLL.
90	ATCLK	I/O	Audio transmit bit clock.
91	ATFS/SEL PLL1	O I	Dual-purpose pin. ATFS is the audio interface transmit frame sync. Pins SEL PLL [1 : 0] select phase-lock loop (PLL) clock frequency CPUCLK for the ES3210. See the SEL PLL0 pin above for the settings.
92	DOE	O	DRAM output enable (active low).
93	AIN	I	Audio interface serial data input.
94	ARCLK	I	Audio receive bit clock.
95	ARFS	I	Audio interface receive frame sync.
96	TD MCLK	I	TDM interface serial clock.
97	TD MDR	I	TDM interface serial data receive.
98	TD MFS	I	TDM interface frame sync.
99	CAS	O	DRAM column address strobe bank 0 (active low).
100	VSS	–	Ground.

DPF-K6010V

CIRCUIT DESCRIPTION

2. VIDEO DAC : IC12 (ES3209F)

Pin description

No.	Name	I/O	Description
1, 2	VSS	–	Ground.
3	NC	–	No used.
4, 5	VCC	–	Voltage supply, 5V.
6	DISC C	I	Clock for programming to access internal registers.
7	AUX0 (CLOCK)	O	Outputs serial data transfer clock to IC2 (D.S.P).
8	DSC D0	I/O	Data for programming to access internal registers.
9	AUX1 (FOK)	O	Focus OK output. Used for SENS output and servo auto sequencer.
10	DISC S	I	Strobe for programming to access internal registers.
11	AUX2 (RMR)	O	Loading motor forward direction output.
12	DCLK/EXT CLK	O	Dual-purpose pin. DCLK is the MPEG decoder clock.
		I	EXT CLK is the external clock. EXT CLK input during bypass PLL mode.
13	RST	I	Video reset (active low).
14	AUX7 (RML)	O	Loading motor reverse direction output.
15	MUTE	O	No used.
16	VCC	–	Voltage supply, 5V.
17	MCLK	–	No used.
18	AUX8 (LMR)	O	Load motor opposite direction (taking out) output.
19	TWS/SPLL OUT	–	No used.
20	AUX9 (LMF)	O	Load motor positive direction (dragging) output.
21, 22	TSD/TBCK	–	No used.
23	RWS/SEL PLL1	O	Dual purpose pin. RWS is the receive audio frame sync.
		I	Pins SEL PLL [1 : 0] select the PLL clock frequency for DCLK output.
			SEL PLL1 SEL PLL0 DCLK
			0 0 Bypass PLL (Input Mode)
			0 1 27MHz (Output Mode)
	1 0 32.4MHz (Output Mode)		
	1 1 40.5MHz (Output Mode)		
24	RST OUT	O	Reset output (active low).
25–31	VSS	–	Ground.
32	VCC	–	Voltage supply, 5V.
33	RSD/SEL PLL0	O	Dual purpose pin. RSD is the receive audio data input.
		I	SEL PLL0 is the select PLL. See the table for pin no. 23.
34	AUX10 (LDON)	O	Laser ON/OFF control.
35	AUX11 (BRKM)	O	Rotary motor deceleration output.
36	AUX12 (A18)	O	Address output to IC14 (4M DRAM).
37	RBCK/SER IN	O	Dual purpose pin. RBCK is the receive audio bit clock.
		I	SER IN is serial input DSC mode. 0 = Parallel DSC mode. 1 = Serial DSC mode.
38	AUX13 (166L)	O	IC17 (TC74HC166AF), Shift/Load.
39	AUX14 (166CK)	O	IC17 (TC74HC166AF), clock.
40	AUX15 (R MUTE)	O	Digital mute control terminal.
41	VSSA	–	Analog ground.
42	VREF M	I	DAC and ADC minimum reference. Bypass to VCMR with 10uF in parallel with 0.1uF.
43	VREF P	I	DAC and ADC minimum reference. Bypass to VCMR with 10uF in parallel with 0.1uF.
44, 45	VCCA	–	Analog VCC, 5V.
46, 47	AOR/AOL	–	No used.

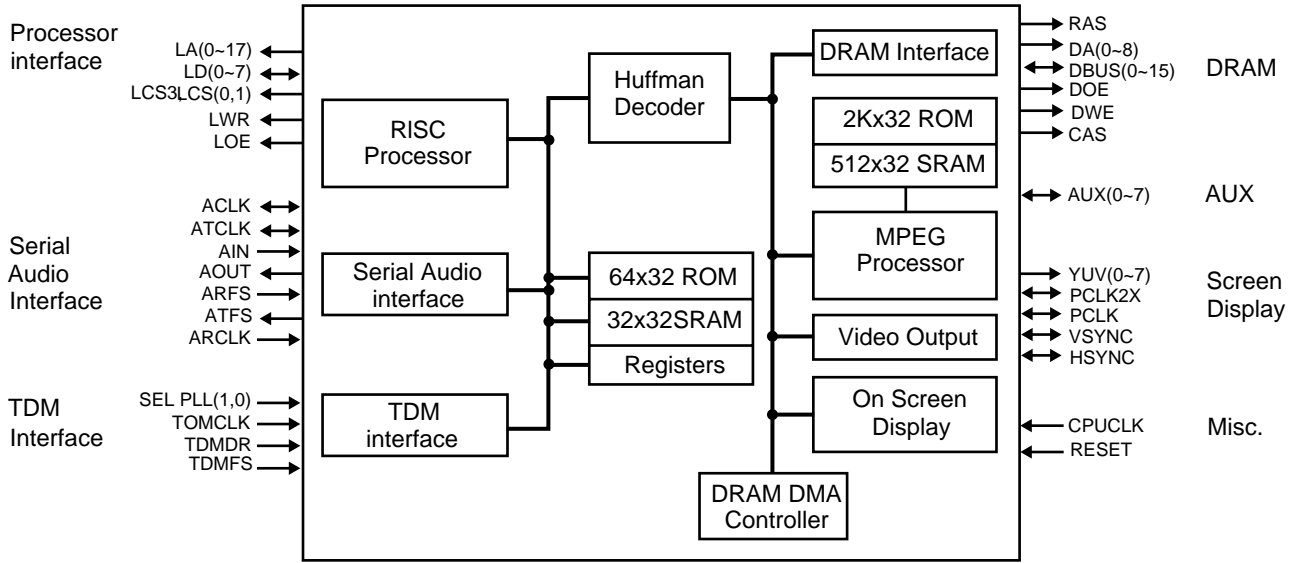
CIRCUIT DESCRIPTION

No.	Name	I/O	Description
48, 49	MIC1/MIC2	I	Microphone (1, 2) input.
50, 51	VSSA	-	Analog ground.
52	VREF	I	Internal resistor divider generates Common Mode Reference (CMR) voltage. Bypass to analog ground with 0.1 uF.
53	VCM	I	ADC Common Mode Reference (CMR) buffer output. CMR is approximately 2.25V. Bypass to analog ground with 47 uF electrolytic in parallel with 0.1 uF.
54	RSET	I	Full scale DAC current adjustment.
55	COMP	I	Com pen station pin.
56, 57	VSSAV	-	Analog ground.
58	CDAC	O	Modulated chrominance output.
59	VCCAV	-	Analog VCC, 5V.
60	VCCAV	-	No used.
61	YDAC	O	Y luminance data bus for screen video port.
62, 63	VSSAV	-	Analog ground.
64	VDAC	O	Composite video output.
65	NC	-	No used.
66	VCC	-	Voltage supply, 5V.
67	AUX6 (XLAT)	O	Latches serial data output to IC2 (CXD2500BQ).
68	AUX5 (DATA)	O	Outputs serial data to IC2 (CXD2500BQ).
69	AUX4 (NT/PAL)	O	NTSC/PAL video control.
70	AUX3 (SENS)	I	SENS input from IC2 (CXD2500BQ).
71	XOUT	O	Crystal output.
72	VSS	-	Ground.
73	VCC	-	Voltage supply, 5V.
74	XIN	I	27MHz crystal input.
75~77	VSS	-	Ground.
78	VCC	-	Voltage supply, 5V.
79	PCLK	I/O	13.5MHz pixel clock.
80	PCLK2X	I/O	27MHz (2 times pixel clock).
81	DSC D7	I/O	Data for programming to access internal registers.
82	HSYNC	O	Horizontal sync (active low).
83	DSC D6	I/O	Data for programming to access internal registers.
84	VSYSNC	O	Vertical sync (active low).
85	DSC D5	I/O	Data for programming to access internal registers.
86~89	YUV7~YUV4	I	YUV data bus for screen video port.
90	VCC	-	Voltage supply, 5V.
91	VSS	-	Ground.
92	YUV3	I	YUV data bus for screen video port.
93	DSC D4	I/O	Data for programming to access internal registers.
94	YUV2	I	YUV data bus for screen video port.
95	DSC D3	I/O	Data for programming to access internal registers.
96	YUV1	I	YUV data bus for screen video port.
97	DSC D2	I/O	Data for programming to access internal registers.
98	YUV0	I	YUV data bus for screen video port.
99	DSC D1	I/O	Data for programming to access internal registers.
100	VSS	-	Ground.

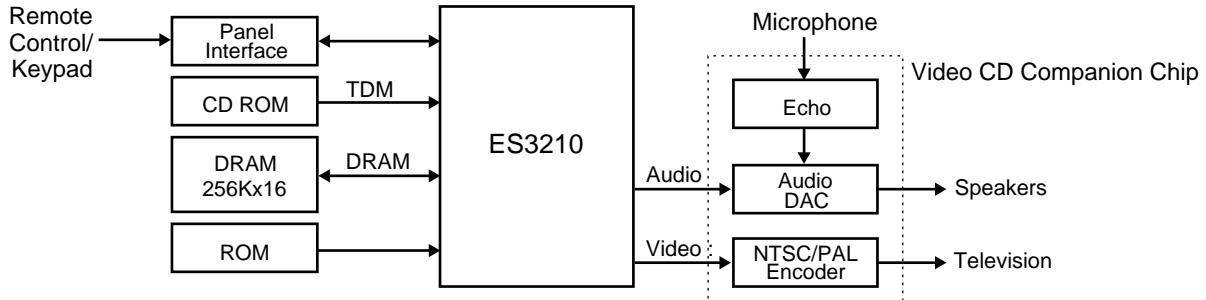
DPF-K6010V

CIRCUIT DESCRIPTION

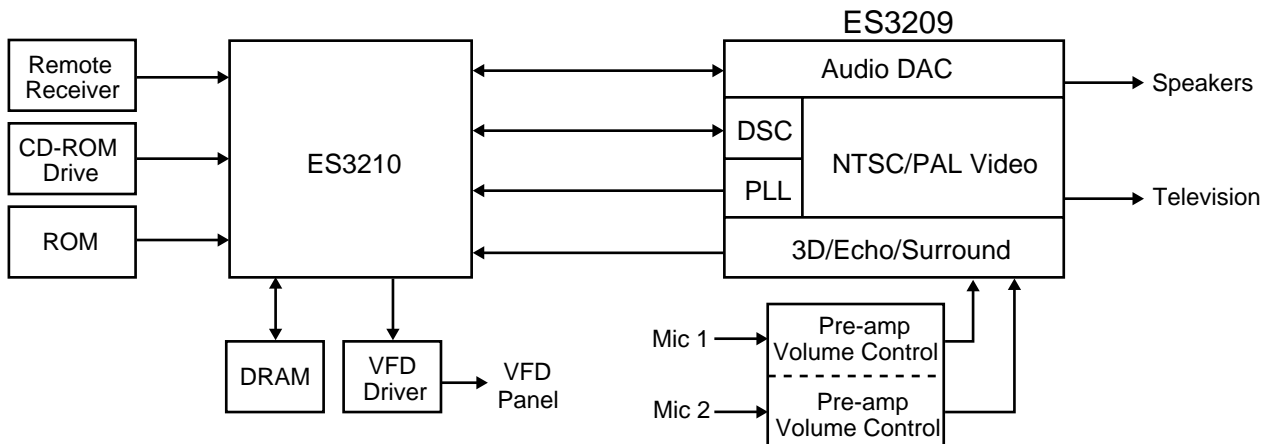
3. ES3210 Video CD PC Block Diagram



4. ES3210 Video CD Processor Chip System Block Diagram

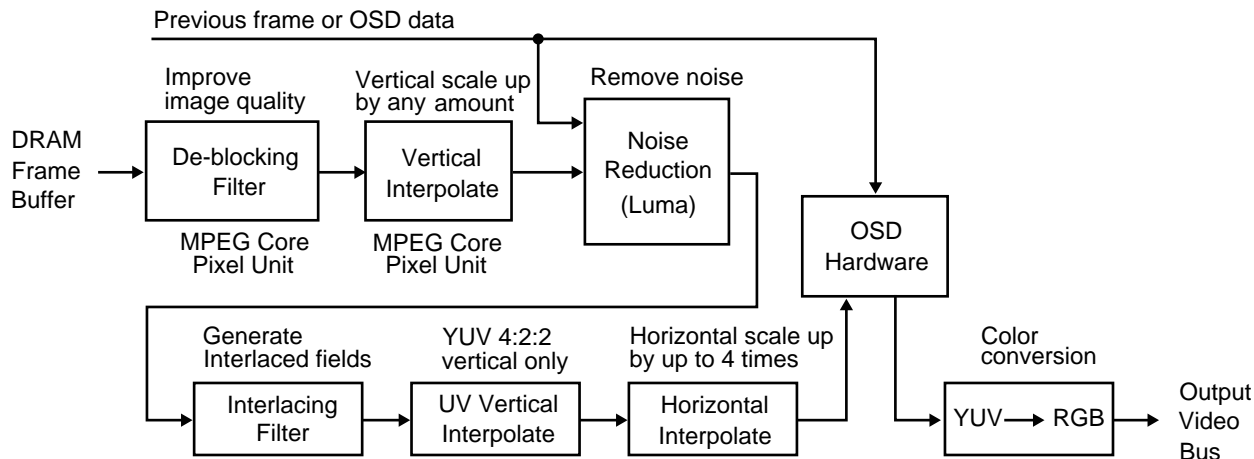


5. ES3209 Video CD Companion Chip System Block Diagram



CIRCUIT DESCRIPTION

6. Video Post-processing



7. Key matrix

() : IC2, IC port

	KS9 (23)	KS8(22)	KS7 (21)	KS6 (20)	KS5 (19)	KS4 (18)	KS3 (17)	KS2 (16)	KS1 (15)
KEY1 (10)	DISC1	OPEN/CLOSE	STOP	PLAY	–	–	+10	–	0
KEY2 (11)	DISC2	DISC SKIP	REPEAT	PAUSE	–	b	3	6	9
KEY3 (12)	DISC3	DISPLAY	PREV.	NEXT	AUDIO MODE	h	2	5	8
KEY4 (13)	–	PBC	DIGEST	RESUME	SURROUND	#	1	4	7

8. Test mode

8-1. Setting the test mode

- The microprocessor built in the unit can be put to TEST MODE by just pressing the DISC 3 key when set to power on.
- Press the DISPLAY key.

8-2. Key vs Function in test mode

Step	Key name	Display	Description	
1	SELECT [▶]	2 01	(1) Focus servoON (2) Tracking servoOFF (3) Feed servoOFF	TE-B adjustment
		2 02	(1) Focus servoON (2) Tracking servoON (3) Feed servoON	F-GAIN/T-GAIN FE-B adjustment
2	DISPLAY	–	Display(FL, LED) goes on. ↔ Display goes off.	–
3	RETURN [■]	OPEN	–	Cancel the test mode.

DPF-K6010V

ADJUSTMENT

No.	ITEM	INPUT SETTINGS	OUTPUT SETTINGS	PLAYER SETTINGS	ALIGNMENT POINTS	ALIGN FOR	FIG.
1	LASER POWER	-	Apply the sensor section of optical power meter on the pickup lens.	While pressing the DISC 3 key, turn the AC ON. Press the DISPLAY key, and then press the SELECT [▶] key. confirm that the display is "2 0".	-	On the power from 0.05 to 0.15 mW, when the diffraction grating is correctly aligned with the RF level of 0.8 Vp-p or more.	(a)
2	TRACKING ERROR BALANCE	Test disc Type 4	Connect an oscilloscope as follows. CH1 : RF (CN2 PIN1) CH2 : TE1 (CN2 PIN6)	Press the SELECT key(▶), then confirm that the display is "2 0".	TE BALANCE VR2	Symmetry between upper and lower patterns DC=0±25mV	c
3	FOCUS ERROR BIAS	Test disc Type 4	Connect an oscilloscope as follows. CH1 : RF (CN2 PIN1) CH2 : TE1 (CN2 PIN6)	Press the SELECT key(▶), then confirm that the display is "2 02".	FE BIAS VR1	Optimum eye pattern	(b) or (d)
4	TRACKING GAIN	Test disc Type 4 Apply signal of 1.2 kHz, 50mVrms to CN2 pin 5-6.	Connect a LPF to CN2 pin 5-6 to which you connect an oscilloscope or AC voltmeters.	Press the SELECT key(▶), then confirm that the display is "2 02".	TRACKING GAIN VR3	Two VTVMs should read the same value.	(e)

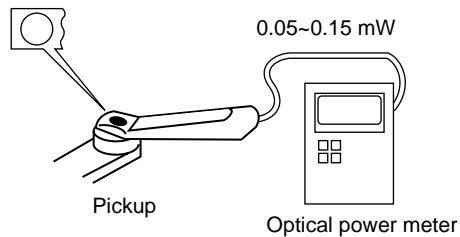
Note:

Type 4 disc : SONY YEDS-18 Test Disc or equivalent.

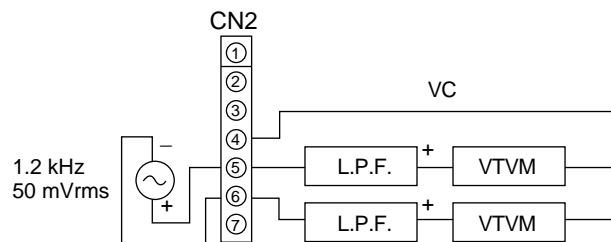
LPF: Around 47 kΩ + 390 pF or so.

Step 1~4 are in Test Mode.

(a) Laser power

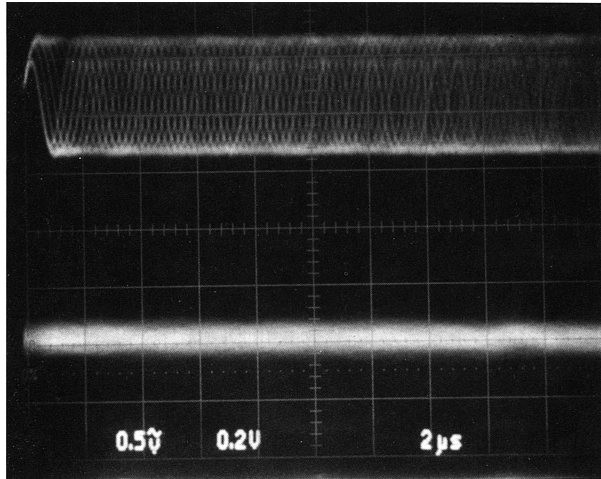


(e) Tracking gain



ADJUSTMENT

FIG. (b)



- RF signal and TE signal in test mode (PLAY).

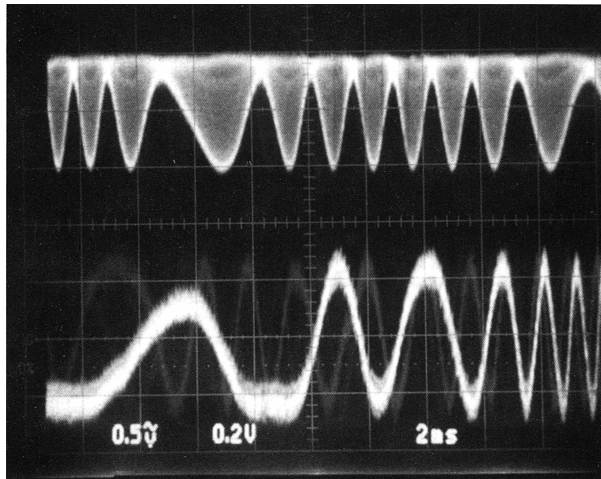
CH1
RF signal

← VC : 2.5 V

← VC : 2.5 V

CH2
TE1 signal

FIG. (c)



- RF signal and TE signal in test mode (Focusing servo ON / Tracking servo OFF). (Disc Type 4)
- Adjust TE signal so that the waveform is symmetrical in relation to VC. (TE BALANCE)

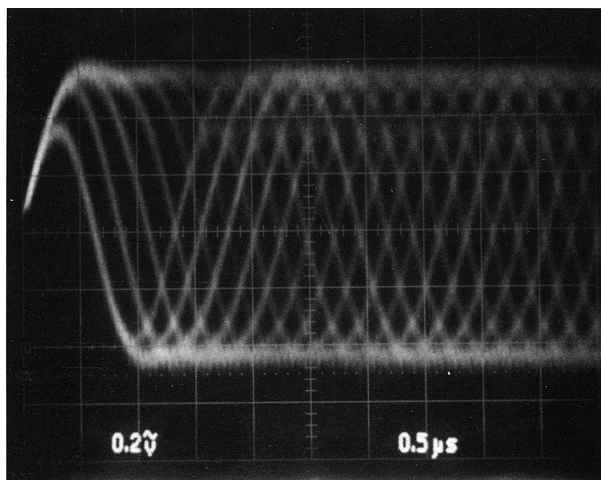
CH1
RF signal

← VC : 2.5 V

← VC : 2.5 V

CH2
TE1 signal

FIG. (d)

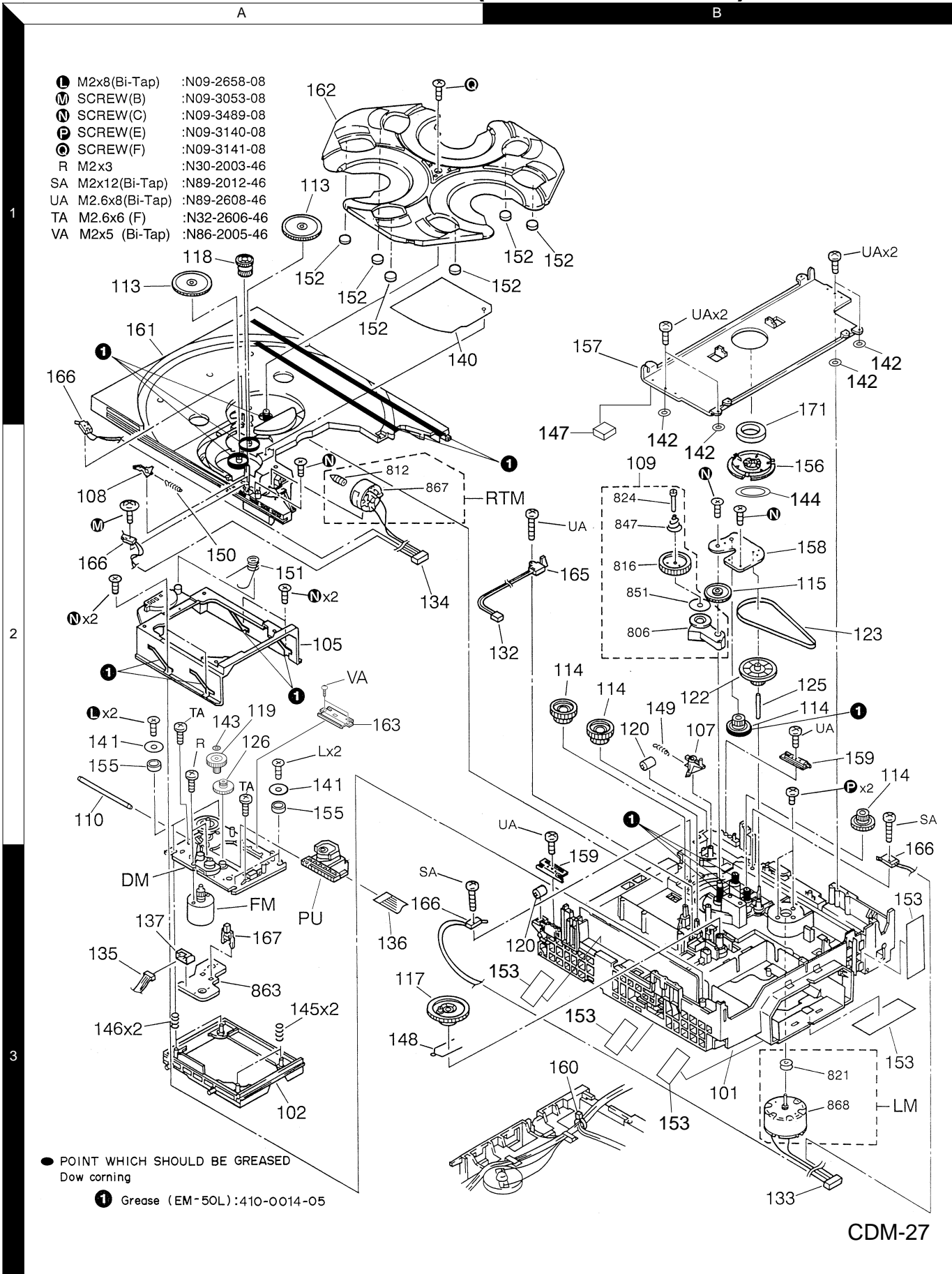


RF signal

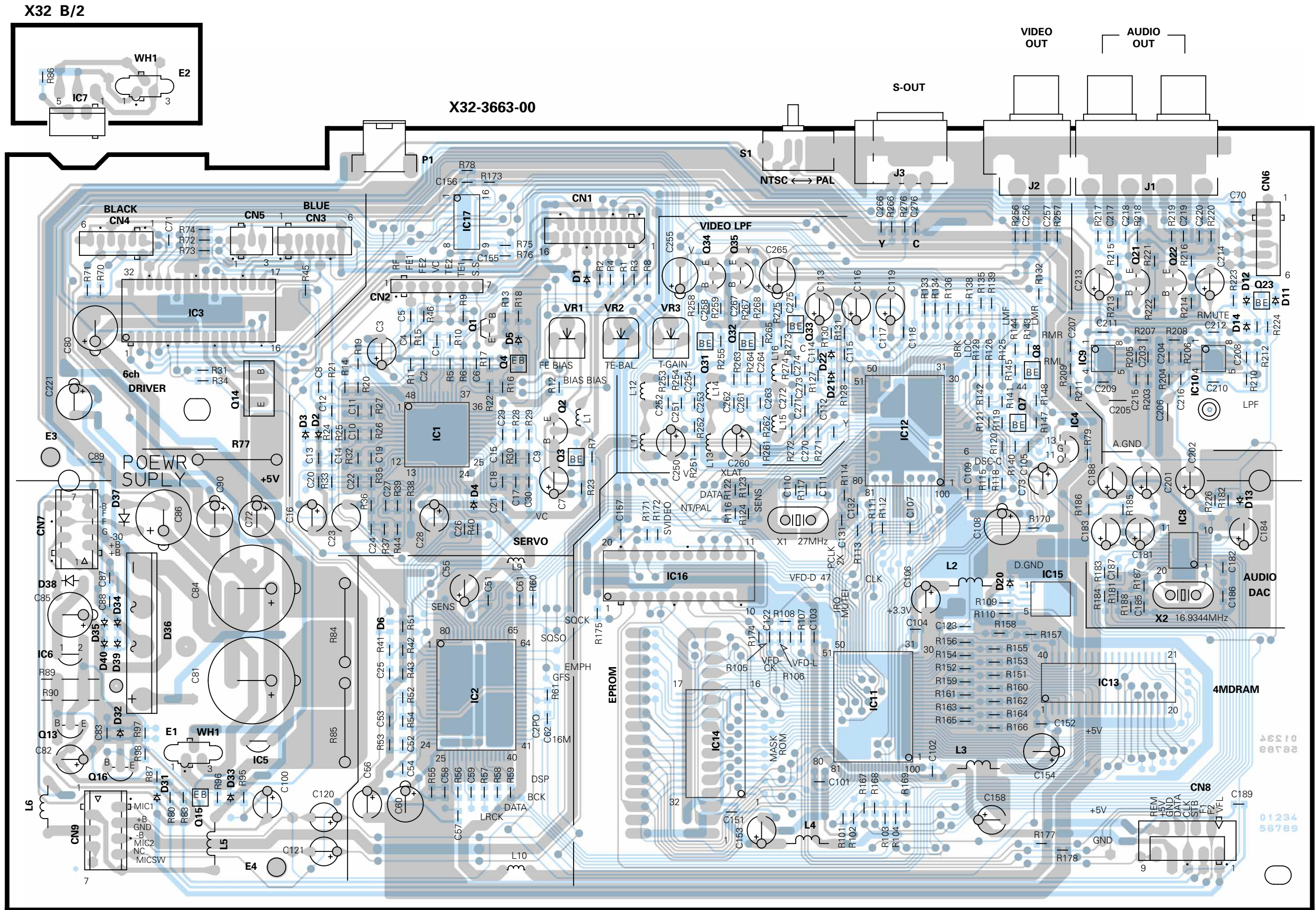
- RF signal in test mode (PLAY).
- Perform the tangential and focusing offset are focused into one point on the display. The crossing points above and below the center shall also be looked clearly. (FE BALANCE)

DPF-K6010V

EXPLODED VIEW (CD MECHANISM)

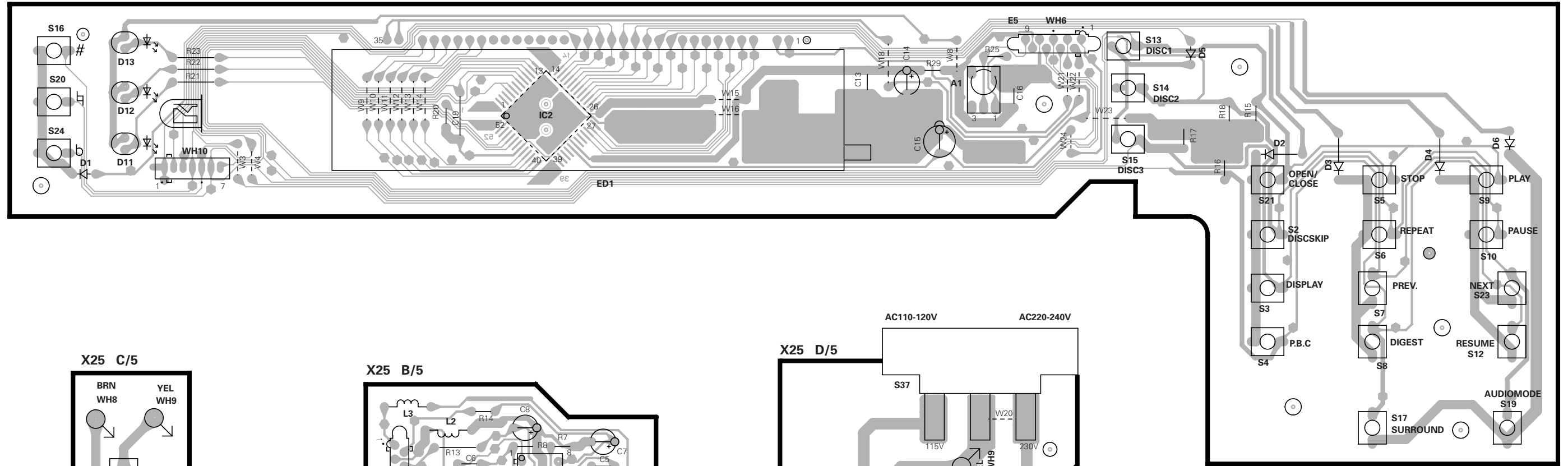


PC BOARD(Component side view)

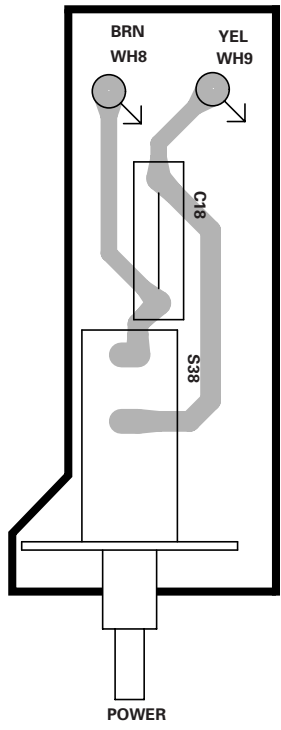


PC BOARD(Component side view)

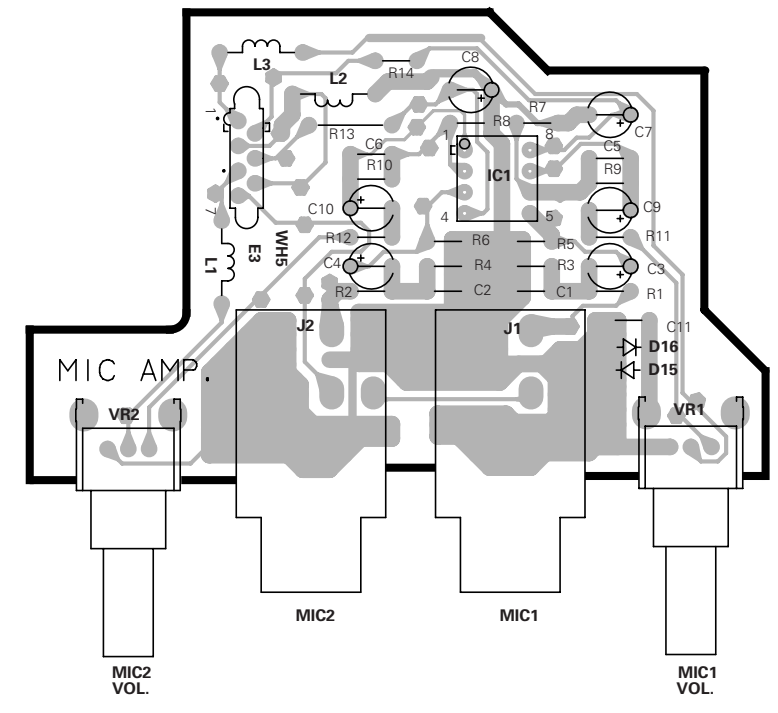
X25-6143-00 A/5



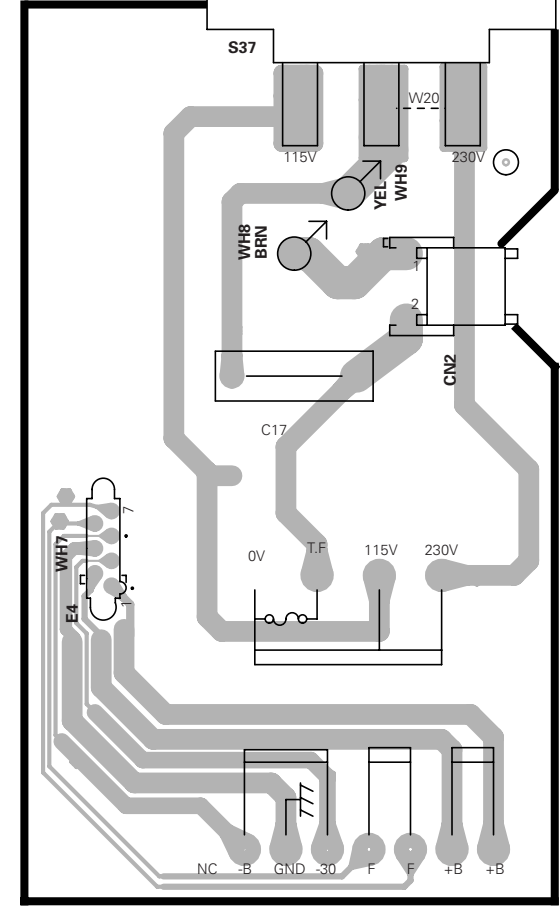
X25 C/5



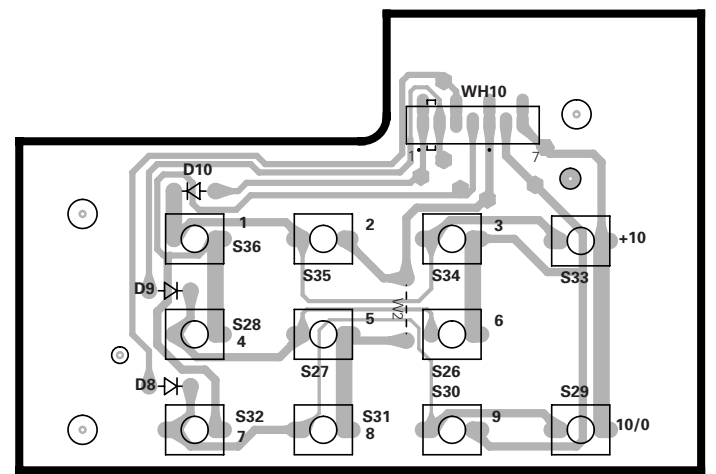
X25 B/5



X25 D/5

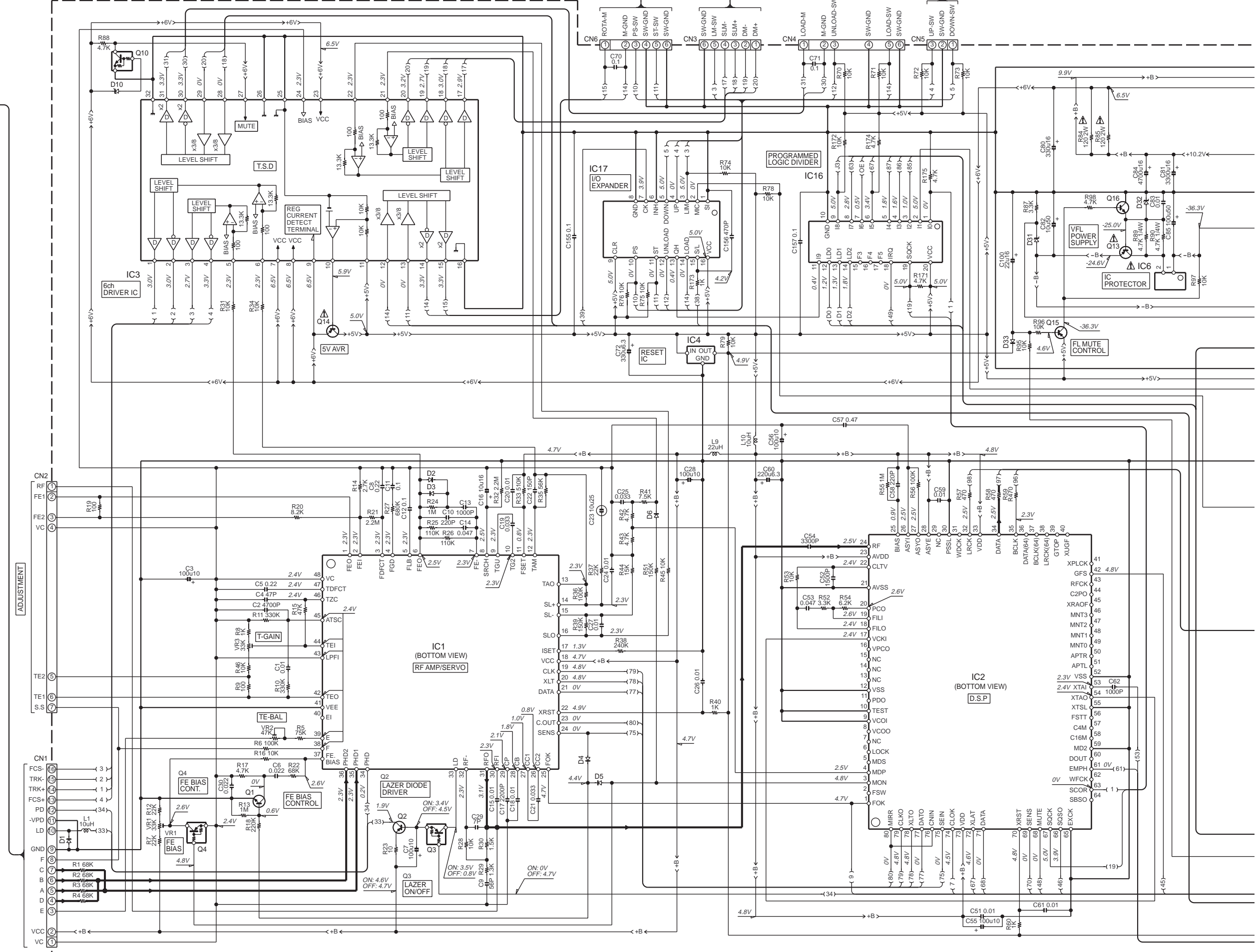
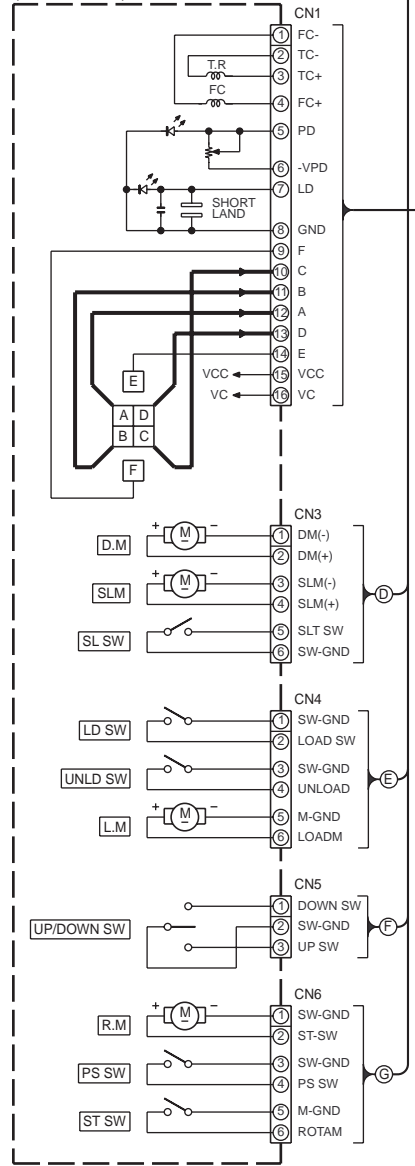


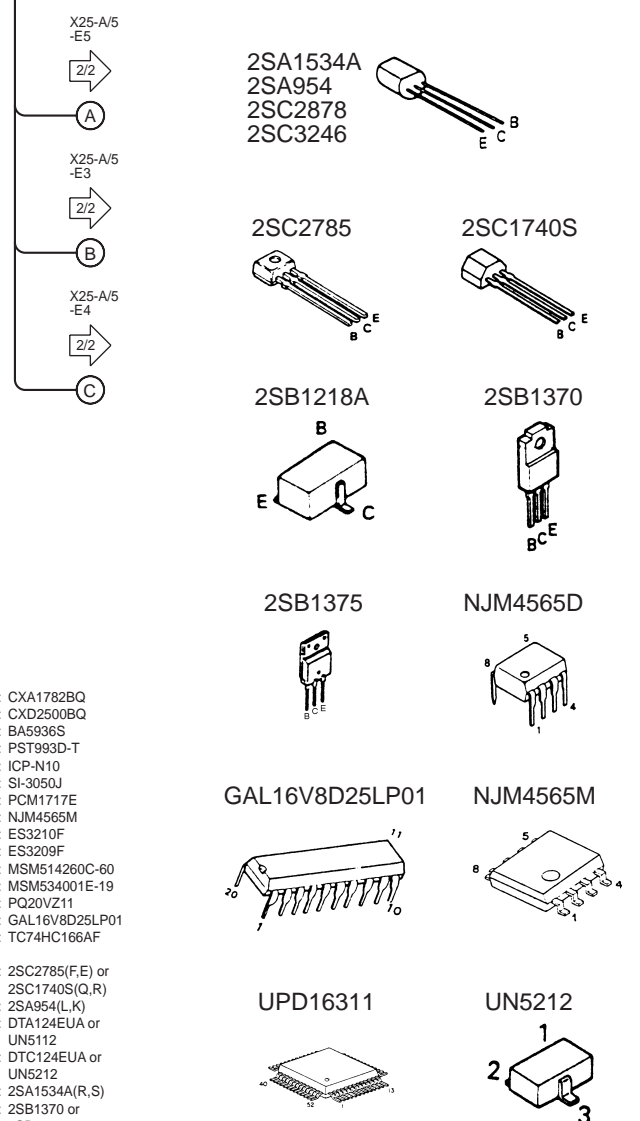
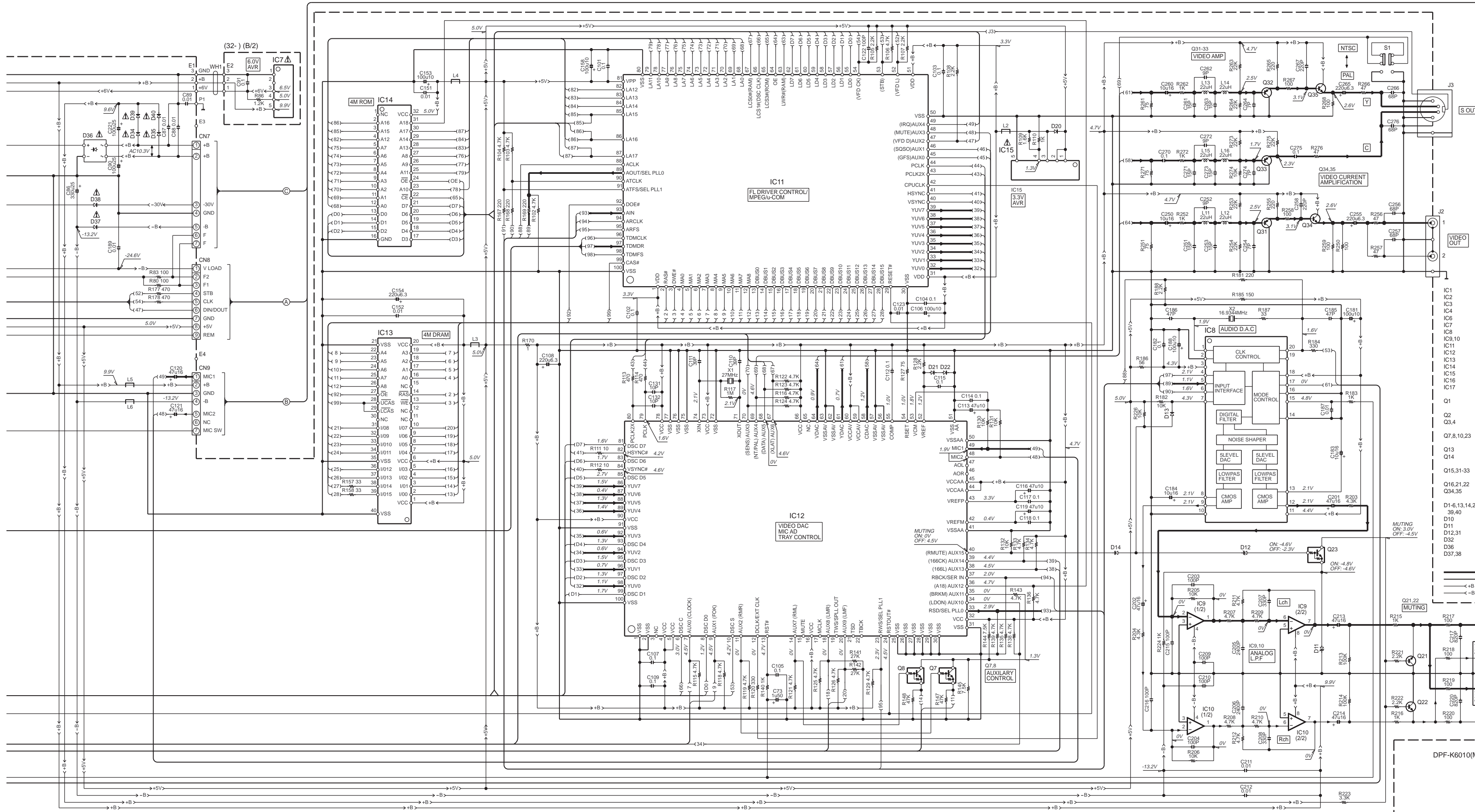
X25 E/5



CD CHANGER MECHA. (CDM-27)
(D40-1562-15)

(X32-3663-00) (A/2)

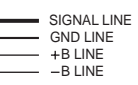




- IC1 : CXA1782BQ
- IC2 : CXD2500BQ
- IC3 : BA5936S
- IC4 : PST993D-T
- IC6 : ICP-N10
- IC7 : SI-3050J
- IC8 : PCM1717E
- IC9,10 : NJM4565M
- IC11 : ES3210F
- IC12 : ES309F
- IC13 : MSMS14260C-60
- IC14 : MSMS34001E-19
- IC15 : PQ20V211
- IC16 : GAL16V8D25LP01
- IC17 : TC74HC166AF

- Q1 : 2SC2785(F,E) or 2SC1740S(Q,R)
- Q2 : 2SA954(L,K)
- Q3,4 : DTA124EUA or UN5112
- Q7,8,10,23 : UN5124EUA or UN5212
- Q13 : 2SA1534A(R,S)
- Q14 : 2SB1370 or 2SB1375
- Q15,31-33 : 2SB1218A(Q,R) or 2SA1576A(R,S)
- Q16,21,22 : 2SC2878(B)
- Q34,35 : 2SC3246

- D1-6,13,14,20-22,33-35,39,40 : MA111
- D10 : UD26.8B
- D11 : UD24.7B
- D12,31 : UD25.6B
- D32 : UD224B
- D36 : DSSBA20F03
- D37,38 : S5888B(TPB5)



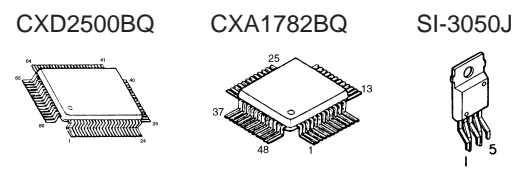
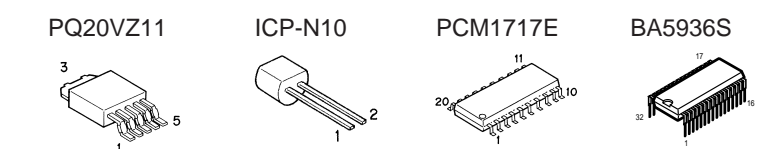
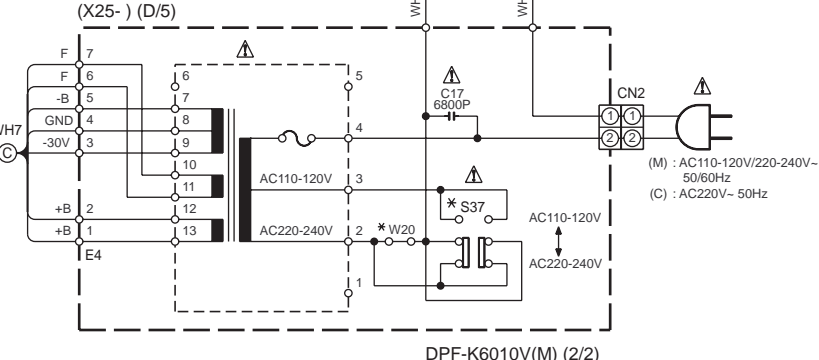
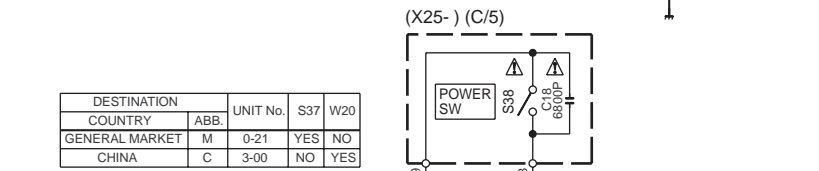
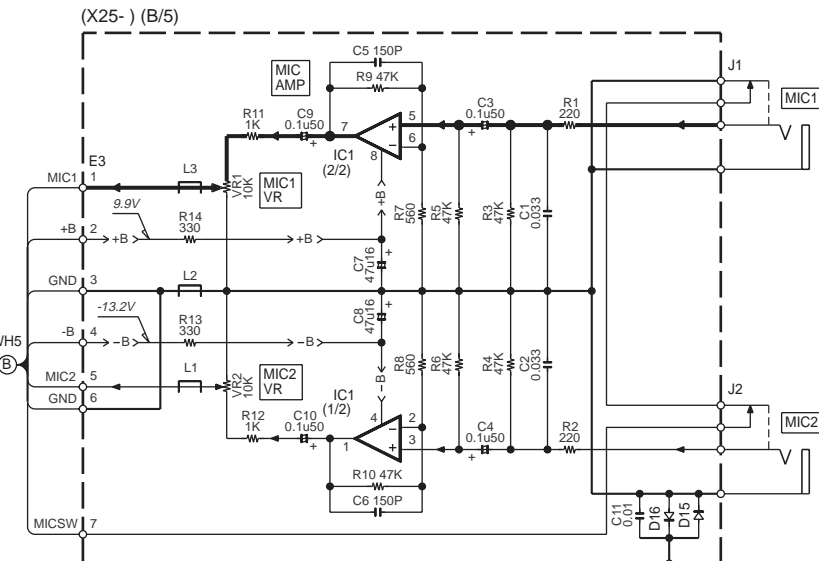
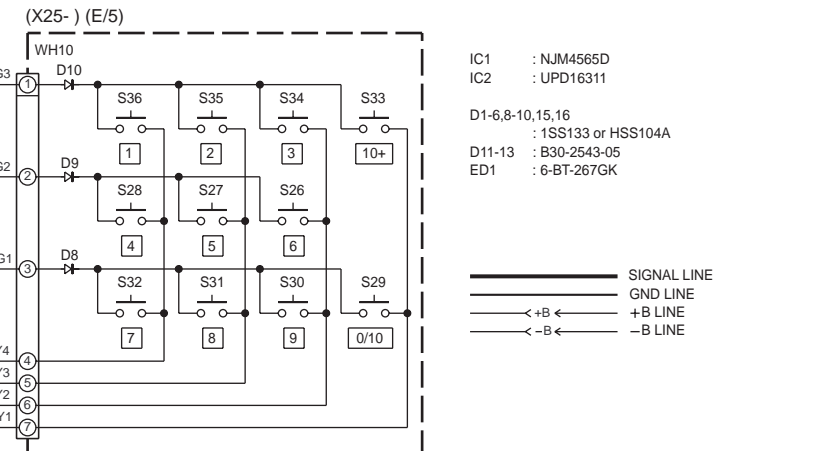
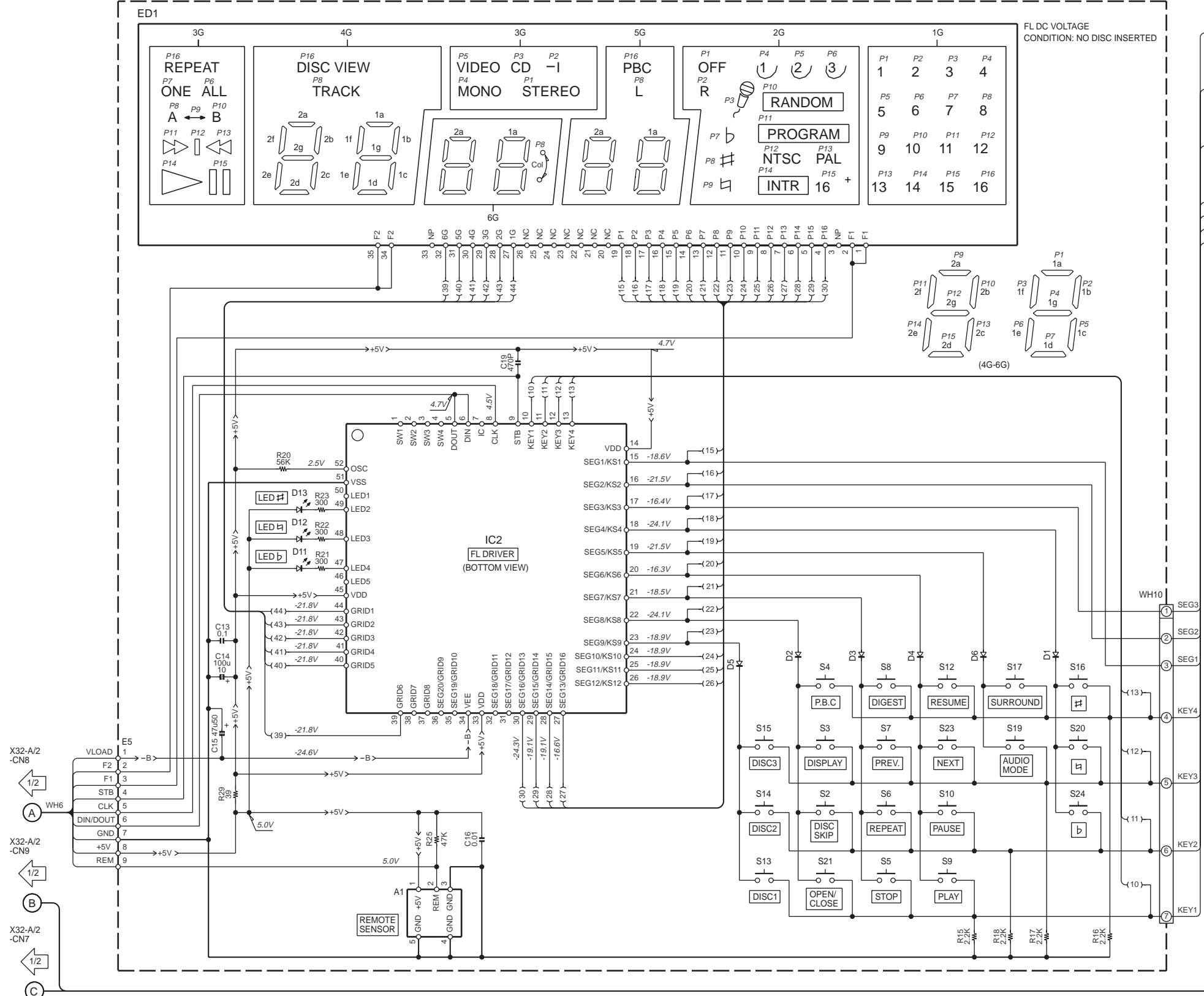
CAUTION: For continued safety, replace safety critical components only with manufacturer's recommended parts (refer to parts list). Δ indicates safety critical components. For continued protection against risk of fire, replace only with same type and rating fuse(s). To reduce the risk of electric shock, leakage-current or resistance measurements shall be carried out (exposed parts are acceptably insulated from the supply circuit) before the appliance is returned to the customer.

The DC voltage is an actual reading measured with a high impedance type voltmeter. The measurement value may vary depending on the measuring instruments used or on the product. Refer to the voltage during PLAY unless otherwise specified; The value shown in () is the voltage measured at the moment of STOP.

Y22-7813-00

DPF-K6010V
KENWOOD

(X25-614X-XX) (A/5) 0-21: (M) TYPE 3-00: (C) TYPE



CAUTION: For continued safety, replace safety critical components only with manufacturer's recommended parts (refer to parts list). Δ indicates safety critical components. For continued protection against risk of fire, replace only with same type and rating fuse(s). To reduce the risk of electric shock, leakage-current or resistance measurements shall be carried out (exposed parts are acceptably insulated from the supply circuit) before the appliance is returned to the customer.

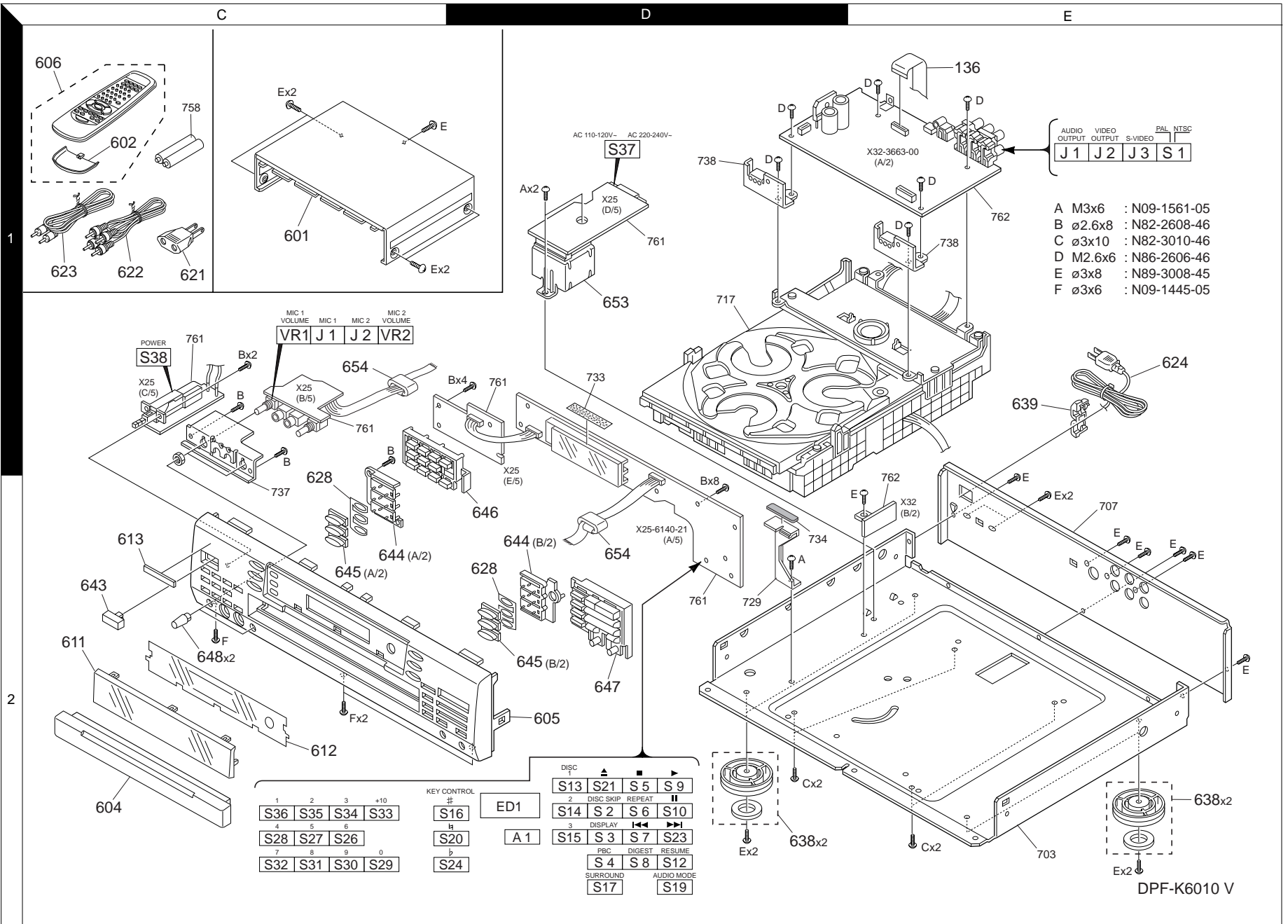
The DC voltage is an actual reading measured with a high impedance type voltmeter. The measurement value may vary depending on the measuring instruments used or on the product. Refer to the voltage during PLAY unless otherwise specified; The value shown in () is the voltage measured at the moment of STOP.

Y22-7813-00

DPF-K6010V
KENWOOD

DPF-K6010V

EXPLODED VIEW (UNIT)



Parts with exploded numbers larger than 700 are not supplied.

* New Parts

Parts without **Parts No.** are not supplied.

Les articles non mentionnés dans le **Parts No.** ne sont pas fournis.

Teile ohne **Parts No.** werden nicht geliefert.

①

Ref. No	Add-ress	New Parts	Parts No.	Description	Desti-nation	Re-marks
DPF-6010V						
601	1C	*	A01-3623-01	METALLIC CABINET		
602	1C	*	A09-1104-08	BATTERY COVER		
604	2C	*	A29-1016-02	PANEL		
605	2D	*	A60-1473-01	PANEL	C	
605	2D	*	A60-1483-01	PANEL	M	
606	1C	*	A70-1226-05	REMOTE CONTROLLER ASSY		
611	2C	*	B10-3403-03	FRONT GLASS		
612	2C	*	B11-0370-03	COLOR FILTER		
613	2C	*	B43-0302-04	KENWOOD BADGE		
-		*	B46-0326-03	WARRANTY CARD		
-		*	B58-0966-13	CAUTION CARD (ELMtypePL)	C	
-		*	B58-1537-13	CAUTION CARD	C	
-		*	B58-1546-03	CAUTION CARD	C	
-		*	B60-3920-00	INSTRUCTION MANUAL(ENGLISH)		
-		*	B60-3921-00	INSTRUCTION MANUAL(TAIWANESE)	M	
-		*	B60-3922-00	INSTRUCTION MANUAL(CHINESE)	C	
△ 621	1C	*	E03-0115-05	AC PLUG ADAPTER	M	
622	1C	*	E30-0505-05	AUDIO CORD		
623	1C	*	E30-1427-05	AUDIO CORD(VIDEO)		
△ 624	1E	*	E30-2592-15	AC POWER CORD	M	
△ 624	1E	*	E30-2870-05	AC POWER CORD	C	
628	2C, 2D	*	F19-1097-04	BLIND PLATE		
-		*	H10-7496-02	POLYSTYRENE FOAMED FIXTURE		
-		*	H10-7497-02	POLYSTYRENE FOAMED FIXTURE		
-		*	H12-2448-04	PACKING FIXTURE		
-		*	H20-0568-04	PROTECTION COVER		
-		*	H21-0364-04	PROTECTION SHEET		
-		*	H25-0232-04	PROTECTION BAG (235X350X0.03)		
-		*	H50-3017-04	ITEM CARTON CASE	C	
-		*	H50-3102-04	ITEM CARTON CASE	M	
638	2D, 2E	*	J02-1420-03	FOOT		
△ 639	1E	*	J42-0083-05	POWER CORD BUSHING		
-		*	J61-0307-05	WIRE BAND		
643	2C	*	K27-2178-04	KNOB (POWER)		
644	2C, 2D	*	K29-7350-03	KNOB (KEY CON BASE)		
645	2C, 2D	*	K29-7351-03	KNOB (KEY CON/DISC SELECTOR)		
646	2D	*	K29-7352-03	KNOB (10KEY)		
647	2D	*	K29-7353-02	KNOB (OPERATION KEY)		
648	2C	*	K29-7354-14	KNOB (MIC VOLUME)		
△ 653	1D	*	L07-2640-05	POWER TRANSFORMER		
654	1C, 2D	*	L92-0064-05	FERRITE CORE		
DISPLAY UNIT (X25-614X-XX)						
D11~13			B30-2543-05	LED		
C1, 2			CQ93FMG1H333J	MYLAR	0.033UF	J
C3, 4			CE04KW1H0R1M	ELECTRO	0.1UF	50WV
C5, 6			CC45FSL1H151J	CERAMIC	150PF	J
C7, 8			CE04KW1C470M	ELECTRO	47UF	16WV

L : Scandinavia K : USA P : Canada R : Mexico C : China I : Malaysia

Y : PX(Far East, Hawaii) T : Europe E : Europe G : Germany V : China(Shanghai)

Y : AAFES(Europe) X : Australia Q : Russia H : Korea M : Other Areas △ indicates safety critical components.

* New Parts

Parts without **Parts No.** are not supplied.

Les articles non mentionnés dans le **Parts No.** ne sont pas fournis.

Teile ohne **Parts No.** werden nicht geliefert.

②

Ref. No	Add-ress	New Parts	Parts No.	Description	Desti-nation	Re-marks
C9, 10			CE04KW1H0R1M	ELECTRO	0.1UF	50WV
C11			CK45FF1H103Z	CERAMIC	0.010UF	Z
C13			CQ93FMG1H104J	MYLAR	0.10UF	J
C14			CE04KW1A101M	ELECTRO	100UF	10WV
C15			CE04KW1H470M	ELECTRO	47UF	50WV
△ C16			CK45FF1H103Z	CERAMIC	0.010UF	Z
C17, 18			C91-1488-05	MF	6800PF	250VAC
C19			C91-0753-05	CERAMIC	470PF	K
CN2			E40-4632-05	PIN ASSY		
J1, 2			E11-0224-05	PHONE JACK		
-			J19-3623-13	HOLDER		
L1~3			L92-0018-05	FERRITE CORE		
VR1, 2			R05-3039-05	POTENTIOMETER(10K)		
S2~10			S70-0031-05	TACT SWITCH		
S12~17			S70-0031-05	TACT SWITCH		
S19~21			S70-0031-05	TACT SWITCH		
S23, 24			S70-0031-05	TACT SWITCH		
S26~36			S70-0031-05	TACT SWITCH		
△ S37			S31-2131-05	SLIDE SWITCH (POWER TYPE)		M
△ S38			S40-1066-05	PUSH SWITCH (POWER TYPE)		
D1~6			HSS104A	DIODE		
D1~6			1SS133	DIODE		
D8~10			HSS104A	DIODE		
D8~10			1SS133	DIODE		
D15, 16			HSS104A	DIODE		
D15, 16			1SS133	DIODE		
ED1		*	6-BT-267GK	INDICATOR TUBE		
IC1			NJM4565D	ANALOGUE IC		
IC2			UPD16311	MOS-IC		
A1			W02-2561-05	ELECTRIC CIRCUIT MODULE		
PROCESSOR UNIT (X32-3663-00)						
C1			CK73FB1H103K	CHIP C	0.010UF	K
C2			CK73FB1H472K	CHIP C	4700PF	K
C3			CE04KW1A101M	ELECTRO	100UF	10WV
C4			CC73FSL1H470J	CHIP C	47PF	J
C5			CK73FF1C224Z	CHIP C	0.22UF	Z
C6			CK73FB1H223KTA	CHIP C	0.022UF	K
C7			CE04KW1A101M	ELECTRO	100UF	10WV
C8			CK73FF1C224Z	CHIP C	0.22UF	Z
C9			CC73FSL1H560J	CHIP C	56PF	J
C10			CC73FSL1H221J	CHIP C	220PF	J
C11, 12			CK73FB1E104K	CHIP C	0.10UF	K
C13			CK73FB1H102K	CHIP C	1000PF	K
C14			CK73FB1E473KTA	CHIP C	0.047UF	K
C15			CK73FB1H103K	CHIP C	0.010UF	K
C16			CE04KW1C100M	ELECTRO	10UF	16WV
C17			CK73FB1H222K	CHIP C	2200PF	K
C18			CK73FB1H103K	CHIP C	0.010UF	K
C19			CK73FB1E333KTA	CHIP C	0.033UF	K
C20			CK73FB1H103K	CHIP C	0.010UF	K
C21			CK73FB1E333KTA	CHIP C	0.033UF	K

L : Scandinavia K : USA P : Canada R : Mexico C : China I : Malaysia

Y : PX(Far East, Hawaii) T : Europe E : Europe G : Germany V : China(Shanghai)

Y : AAFES(Europe) X : Australia Q : Russia H : Korea M : Other Areas △ indicates safety critical components.

PARTS LIST

DPF-K6010V

* New Parts

Parts without **Parts No.** are not supplied.Les articles non mentionnés dans le **Parts No.** ne sont pas fournis.Teile ohne **Parts No.** werden nicht geliefert.

③

Ref. No	Add-ress	New Parts	Parts No.	Description	Desti-nation	Re-marks
C22			CC73FSL1H151J	CHIP C 150PF J		
C23			CE04HW1E100M	NP-ELEC 10UF 25WV		
C24			CK73FB1H103K	CHIP C 0.010UF K		
C25			CK73FB1E333KTA	CHIP C 0.033UF K		
C26, 27			CK73FB1H103K	CHIP C 0.010UF K		
C28			CE04KW1A101M	ELECTRO 100UF 10WV		
C29			CC73FSL1H070D	CHIP C 7.0PF D		
C30			CK73FB1H223KTA	CHIP C 0.022UF K		
C51			CK73FB1H103K	CHIP C 0.010UF K		
C52			CK73FB1H152K	CHIP C 1500PF K		
C53			CK73FB1E473KTA	CHIP C 0.047UF K		
C54			CK73FB1H332K	CHIP C 3300PF K		
C55, 56			CE04KW1A101M	ELECTRO 100UF 10WV		
C57			CK73FF1C474Z	CHIP C 0.47UF Z		
C58			CC73FSL1H221J	CHIP C 220PF J		
C59			CK73FB1H103K	CHIP C 0.010UF K		
C60			CE04KW0J221M	ELECTRO 220UF 6.3WV		
C61			CK73FB1H103K	CHIP C 0.010UF K		
C62			CK73FB1H102K	CHIP C 1000PF K		
C70, 71			CK73FB1E104K	CHIP C 0.10UF K		
C72			CE04KW0J331M	ELECTRO 330UF 6.3WV		
C73			CE04KW1H010M	ELECTRO 1.0UF 50WV		
C80			CE04KW1C331M	ELECTRO 330UF 16WV		
C81			CE04KW1C332M	ELECTRO 3300UF 16WV		
C82			CE04KW1H100M	ELECTRO 10UF 50WV		
C83			CK73FB1H103K	CHIP C 0.010UF K		
C84			CE04KW1C472M	ELECTRO 4700UF 16WV		
C85			CE04KW1H101M	ELECTRO 100UF 50WV		
C86			CE04DW1E331M	ELECTRO 330UF 25WV		
C87-89			CK73FB1H103K	CHIP C 0.010UF K		
C90			CE04KW1E101M	ELECTRO 100UF 25WV		
C91			CK73FB1E104K	CHIP C 0.10UF K		
C100			CE04KW1C220M	ELECTRO 22UF 16WV		
C101-105			CK73FB1E104K	CHIP C 0.10UF K		
C106			CE04KW1A101M	ELECTRO 100UF 10WV		
C107			CK73FB1E104K	CHIP C 0.10UF K		
C108			CE04KW0J221M	ELECTRO 220UF 6.3WV		
C109			CK73FB1E104K	CHIP C 0.10UF K		
C110, 111			CC73FSL1H390J	CHIP C 39PF J		
C112			CK73FB1E104K	CHIP C 0.10UF K		
C113			CE04KW1A470M	ELECTRO 47UF 10WV		
C114, 115			CK73FB1E104K	CHIP C 0.10UF K		
C116			CE04KW1A470M	ELECTRO 47UF 10WV		
C117, 118			CK73FB1E104K	CHIP C 0.10UF K		
C119			CE04KW1A470M	ELECTRO 47UF 10WV		
C120, 121			CE04KW1C470M	ELECTRO 47UF 16WV		
C122			CC73FSL1H101J	CHIP C 100PF J		
C123			CK73FB1H103K	CHIP C 0.010UF K		
C131, 132			CC73FSL1H100D	CHIP C 10PF D		
C151, 152			CK73FB1H103K	CHIP C 0.010UF K		
C153			CE04KW1A101M	ELECTRO 100UF 10WV		
C154			CE04KW0J221M	ELECTRO 220UF 6.3WV		
C155			CK73FB1E104K	CHIP C 0.10UF K		
C156			CK73FB1H471K	CHIP C 470PF K		
C157			CK73FB1E104K	CHIP C 0.10UF K		

L : Scandinavia K : USA P : Canada R : Mexico C : China I : Malaysia
 Y : PX(Far East, Hawaii) T : Europe E : Europe G : Germany V : China(Shanghai)
 Y : AAFES(Europe) X : Australia Q : Russia H : Korea M : Other Areas Δ indicates safety critical components.

* New Parts

Parts without **Parts No.** are not supplied.Les articles non mentionnés dans le **Parts No.** ne sont pas fournis.Teile ohne **Parts No.** werden nicht geliefert.

④

Ref. No	Add-ress	New Parts	Parts No.	Description	Desti-nation	Re-marks
C158			CE04KW1A101M	ELECTRO 100UF 10WV		
C181			CE04KW1A101M	ELECTRO 100UF 10WV		
C182			CK73FB1E104K	CHIP C 0.10UF K		
C183, 184			CE04KW1C100M	ELECTRO 10UF 16WV		
C185, 186			CC73FSL1H470J	CHIP C 47PF J		
C187			CK73FB1H103K	CHIP C 0.010UF K		
C188			CE04KW1A101M	ELECTRO 100UF 10WV		
C189			CK73FB1H103K	CHIP C 0.010UF K		
C201, 202			CE04KW1C470M	ELECTRO 47UF 16WV		
C203, 204			CC73FSL1H101J	CHIP C 100PF J		
C205, 206			CQ93FMG1H242J	MYLAR 2400PF J		
C207, 208			CC73FSL1H331J	CHIP C 330PF J		
C209, 210			CC73FSL1H101J	CHIP C 100PF J		
C211, 212			CK73FB1H103K	CHIP C 0.010UF K		
C213, 214			CE04KW1C470M	ELECTRO 47UF 16WV		
C215, 216			CC73FSL1H101J	CHIP C 100PF J		
C217-220			CK73FB1H821K	CHIP C 820PF K		
C221			CE04KW1E101M	ELECTRO 100UF 25WV		
C250			CE04KW1C100M	ELECTRO 10UF 16WV		
C251			CC73FSL1H150J	CHIP C 15PF J		
C252			CC73FSL1H090D	CHIP C 9.0PF D		
C253			CC73FSL1H150J	CHIP C 15PF J		
C254			CC73FSL1H070D	CHIP C 7.0PF D		
C255			CE04KW0J221M	ELECTRO 220UF 6.3WV		
C256, 257			CC73FSL1H680J	CHIP C 68PF J		
C258			CC73FSL1H221J	CHIP C 220PF J		
C260			CE04KW1C100M	ELECTRO 10UF 16WV		
C261			CC73FSL1H150J	CHIP C 15PF J		
C262			CC73FSL1H090D	CHIP C 9.0PF D		
C263			CC73FSL1H150J	CHIP C 15PF J		
C264			CC73FSL1H070D	CHIP C 7.0PF D		
C265			CE04KW0J221M	ELECTRO 220UF 6.3WV		
C266			CC73FSL1H680J	CHIP C 68PF J		
C267			CC73FSL1H221J	CHIP C 220PF J		
C270			CK73FB1E104K	CHIP C 0.10UF K		
C271			CC73FSL1H150J	CHIP C 15PF J		
C272			CC73FSL1H090D	CHIP C 9.0PF D		
C273			CC73FSL1H150J	CHIP C 15PF J		
C274			CC73FSL1H070D	CHIP C 7.0PF D		
C275			CK73FB1E104K	CHIP C 0.10UF K		
C276			CC73FSL1H680J	CHIP C 68PF J		
CN1			E40-8037-05	FLAT CABLE CONNECTOR		
CN2			E40-4876-05	PIN ASSY		
CN3			E40-4377-05	PIN ASSY		
CN4			E40-4763-05	PIN ASSY		
CN5			E40-3247-05	PIN ASSY		
CN6			E40-4762-05	PIN ASSY		
CN7			E40-4297-05	FLAT CABLE CONNECTOR		
CN8			E40-4807-05	PIN ASSY		
CN9			E40-4297-05	FLAT CABLE CONNECTOR		
J1			E63-0120-05	PHONO JACK (4P)		
J2			E63-0128-05	PHONO JACK (2P)		
J3			E56-0014-05	CYLINDRICAL RECEPTACLE		

L : Scandinavia K : USA P : Canada R : Mexico C : China I : Malaysia
 Y : PX(Far East, Hawaii) T : Europe E : Europe G : Germany V : China(Shanghai)
 Y : AAFES(Europe) X : Australia Q : Russia H : Korea M : Other Areas Δ indicates safety critical components.

* New Parts

Parts without **Parts No.** are not supplied.
Les articles non mentionnés dans le **Parts No.** ne sont pas fournis.
Teile ohne **Parts No.** werden nicht geliefert.

5

Ref. No	Address	New Parts	Parts No.	Description	Destination	Remarks
E3, 4			J11-0808-05	WIRE CLAMPER		
L1			L40-1001-58	SMALL FIXED INDUCTOR(10UH,K)		
L2~6			L92-0018-05	FERRITE CORE		
L9			L40-2201-58	SMALL FIXED INDUCTOR(22UH,K)		
L10			L40-1001-58	SMALL FIXED INDUCTOR(10UH,K)		
L11~16			L40-2201-58	SMALL FIXED INDUCTOR(22UH,K)		
X1			L77-2237-05	CRYSTAL RESONATOR(27MHZ)		
X2			L77-1164-05	CRYSTAL RESONATOR(16.9344MHZ)		
R1~4			RK73FB2A683J	CHIP R 68K J 1/10W		
R5			RK73FB2A753J	CHIP R 75K J 1/10W		
R6			RK73FB2A104J	CHIP R 100K J 1/10W		
R7			RK73FB2A223J	CHIP R 22K J 1/10W		
R8			RK73FB2A102J	CHIP R 1.0K J 1/10W		
R9			RK73FB2A101J	CHIP R 100 J 1/10W		
R10, 11			RK73FB2A334J	CHIP R 330K J 1/10W		
R12			RK73FB2A223J	CHIP R 22K J 1/10W		
R13			RK73FB2A105J	CHIP R 1.0M J 1/10W		
R14			RK73FB2A272J	CHIP R 2.7K J 1/10W		
R15			RK73FB2A473J	CHIP R 47K J 1/10W		
R16			RK73FB2A103J	CHIP R 10K J 1/10W		
R17			RK73FB2A472J	CHIP R 4.7K J 1/10W		
R18			RK73FB2A224J	CHIP R 220K J 1/10W		
R19			RK73FB2A101J	CHIP R 100 J 1/10W		
R20			RK73FB2A822J	CHIP R 8.2K J 1/10W		
R21			RK73FB2A225J	CHIP R 2.2M J 1/10W		
R22			RK73FB2A683J	CHIP R 68K J 1/10W		
R23			RK73FB2A100J	CHIP R 10 J 1/10W		
R24			RK73FB2A105J	CHIP R 1.0M J 1/10W		
R25, 26			RK73FB2A114J	CHIP R 110K J 1/10W		
R27			RK73FB2A684J	CHIP R 680K J 1/10W		
R28			RK73FB2A103J	CHIP R 10K J 1/10W		
R29			RK73FB2A132J	CHIP R 1.3K J 1/10W		
R30			RK73FB2A152J	CHIP R 1.5K J 1/10W		
R31			RK73FB2A103J	CHIP R 10K J 1/10W		
R32			RK73FB2A225J	CHIP R 2.2M J 1/10W		
R33			RK73FB2A514J	CHIP R 510K J 1/10W		
R34			RK73FB2A103J	CHIP R 10K J 1/10W		
R35			RK73FB2A563J	CHIP R 56K J 1/10W		
R36			RK73FB2A104J	CHIP R 100K J 1/10W		
R37			RK73FB2A223J	CHIP R 22K J 1/10W		
R38			RK73FB2A244J	CHIP R 240K J 1/10W		
R39			RK73FB2A154J	CHIP R 150K J 1/10W		
R40			RK73FB2A102J	CHIP R 1.0K J 1/10W		
R41			RK73FB2A752J	CHIP R 7.5K J 1/10W		
R42, 43			RK73FB2A472J	CHIP R 4.7K J 1/10W		
R44			RK73FB2A153J	CHIP R 15K J 1/10W		
R45, 46			RK73FB2A103J	CHIP R 10K J 1/10W		
R51			RK73FB2A154J	CHIP R 150K J 1/10W		
R52			RK73FB2A332J	CHIP R 3.3K J 1/10W		
R53			RK73FB2A103J	CHIP R 10K J 1/10W		
R54			RK73FB2A622J	CHIP R 6.2K J 1/10W		
R55			RK73FB2A105J	CHIP R 1.0M J 1/10W		
R56			RK73FB2A104J	CHIP R 100K J 1/10W		

L : Scandinavia K : USA P : Canada R : Mexico C : China I : Malaysia
Y : PX(Far East, Hawaii) T : Europe E : Europe G : Germany V : China(Shanghai)
Y : AAFES(Europe) X : Australia Q : Russia H : Korea M : Other Areas Δ indicates safety critical components.

* New Parts

Parts without **Parts No.** are not supplied.
Les articles non mentionnés dans le **Parts No.** ne sont pas fournis.
Teile ohne **Parts No.** werden nicht geliefert.

6

Ref. No	Address	New Parts	Parts No.	Description	Destination	Remarks
R57~59			RK73FB2A471J	CHIP R 470 J 1/10W		
R60			RK73FB2A102J	CHIP R 1.0K J 1/10W		
R70~76			RK73FB2A103J	CHIP R 10K J 1/10W		
R78, 79			RK73FB2A103J	CHIP R 10K J 1/10W		
R80			RK73FB2A101J	CHIP R 100 J 1/10W		
R83			RK73FB2A101J	CHIP R 100 J 1/10W		
R84, 85			RS14KB3D121J	FL-PROOF RS 120 J 2W		
R86			RK73FB2A122J	CHIP R 1.2K J 1/10W		
R87			RK73FB2A332J	CHIP R 3.3K J 1/10W		
R88			RK73FB2A472J	CHIP R 4.7K J 1/10W		
R89, 90			RD14NB2E472J	RD 4.7K J 1/4W		
R95~97			RK73FB2A103J	CHIP R 10K J 1/10W		
R98			RK73FB2A472J	CHIP R 4.7K J 1/10W		
R102~104			RK73FB2A472J	CHIP R 4.7K J 1/10W		
R105			RK73FB2A222J	CHIP R 2.2K J 1/10W		
R106			RK73FB2A472J	CHIP R 4.7K J 1/10W		
R107, 108			RK73FB2A222J	CHIP R 2.2K J 1/10W		
R109			RK73FB2A162J	CHIP R 1.6K J 1/10W		
R110			RK73FB2A102J	CHIP R 1.0K J 1/10W		
R111, 112			RK73FB2A100J	CHIP R 10 J 1/10W		
R113, 114			RK73FB2A471J	CHIP R 470 J 1/10W		
R115, 116			RK73FB2A472J	CHIP R 4.7K J 1/10W		
R117			RK73FB2A105J	CHIP R 1.0M J 1/10W		
R118, 119			RK73FB2A472J	CHIP R 4.7K J 1/10W		
R120			RK73FB2A331J	CHIP R 330 J 1/10W		
R121~126			RK73FB2A472J	CHIP R 4.7K J 1/10W		
R127			RK73FB2A750J	CHIP R 75 J 1/10W		
R128			RK73FB2A222J	CHIP R 2.2K J 1/10W		
R129			RK73FB2A472J	CHIP R 4.7K J 1/10W		
R130~132			RK73FB2A103J	CHIP R 10K J 1/10W		
R133~136			RK73FB2A472J	CHIP R 4.7K J 1/10W		
R138, 139			RK73FB2A472J	CHIP R 4.7K J 1/10W		
R140			RK73FB2A102J	CHIP R 1.0K J 1/10W		
R141, 142			RK73FB2A273J	CHIP R 27K J 1/10W		
R143			RK73FB2A472J	CHIP R 4.7K J 1/10W		
R144, 145			RK73FB2A752J	CHIP R 7.5K J 1/10W		
R147, 148			RK73FB2A473J	CHIP R 47K J 1/10W		
R157, 158			RK73FB2A330J	CHIP R 33 J 1/10W		
R167~169			RK73FB2A221J	CHIP R 220 J 1/10W		
R170			RK73FB2A1R0J	CHIP R 1 J 1/10W		
R171			RK73FB2A472J	CHIP R 4.7K J 1/10W		
R172			RK73FB2A103J	CHIP R 10K J 1/10W		
R173			RK73FB2A102J	CHIP R 1.0K J 1/10W		
R174, 175			RK73FB2A472J	CHIP R 4.7K J 1/10W		
R177, 178			RK73FB2A471J	CHIP R 470 J 1/10W		
R181			RK73FB2A221J	CHIP R 220 J 1/10W		
R182			RK73FB2A103J	CHIP R 10K J 1/10W		
R183			RK73FB2A102J	CHIP R 1.0K J 1/10W		
R184			RK73FB2A331J	CHIP R 330 J 1/10W		
R185			RK73FB2A151J	CHIP R 150 J 1/10W		
R186			RK73FB2A560J	CHIP R 56 J 1/10W		
R187			RK73FB2A330J	CHIP R 33 J 1/10W		
R188			RK73FB2A222J	CHIP R 2.2K J 1/10W		
R203, 204			RK73FB2A432J	CHIP R 4.3K J 1/10W		
R205, 206			RK73FB2A103J	CHIP R 10K J 1/10W		

L : Scandinavia K : USA P : Canada R : Mexico C : China I : Malaysia
Y : PX(Far East, Hawaii) T : Europe E : Europe G : Germany V : China(Shanghai)
Y : AAFES(Europe) X : Australia Q : Russia H : Korea M : Other Areas Δ indicates safety critical components.

PARTS LIST

DPF-K6010V

* New Parts

Parts without **Parts No.** are not supplied.Les articles non mentionnés dans le **Parts No.** ne sont pas fournis.Teile ohne **Parts No.** werden nicht geliefert.

⑦

Ref. No	Add-ress	New Parts	Parts No.	Description	Desti-nation	Re-marks
R207~212			RK73FB2A472J	CHIP R 4.7K J 1/10W		
R213, 214			RK73FB2A104J	CHIP R 100K J 1/10W		
R215, 216			RK73FB2A102J	CHIP R 1.0K J 1/10W		
R217~220			RK73FB2A101J	CHIP R 100 J 1/10W		
R221, 222			RK73FB2A222J	CHIP R 2.2K J 1/10W		
R223			RK73FB2A332J	CHIP R 3.3K J 1/10W		
R224			RK73FB2A102J	CHIP R 1.0K J 1/10W		
R226			RK73FB2A103J	CHIP R 10K J 1/10W		
R250			RK73FB2A101J	CHIP R 100 J 1/10W		
R251			RK73FB2A750J	CHIP R 75 J 1/10W		
R252			RK73FB2A102J	CHIP R 1.0K J 1/10W		
R253, 254			RK73FB2A223J	CHIP R 22K J 1/10W		
R255			RK73FB2A221J	CHIP R 220 J 1/10W		
R256, 257			RK73FB2A470J	CHIP R 47 J 1/10W		
R258, 259			RK73FB2A101J	CHIP R 100 J 1/10W		
R261			RK73FB2A750J	CHIP R 75 J 1/10W		
R262			RK73FB2A102J	CHIP R 1.0K J 1/10W		
R263, 264			RK73FB2A223J	CHIP R 22K J 1/10W		
R265			RK73FB2A221J	CHIP R 220 J 1/10W		
R266			RK73FB2A470J	CHIP R 47 J 1/10W		
R267, 268			RK73FB2A101J	CHIP R 100 J 1/10W		
R271			RK73FB2A750J	CHIP R 75 J 1/10W		
R272			RK73FB2A102J	CHIP R 1.0K J 1/10W		
R273			RK73FB2A223J	CHIP R 22K J 1/10W		
R274			RK73FB2A103J	CHIP R 10K J 1/10W		
R275			RK73FB2A221J	CHIP R 220 J 1/10W		
R276			RK73FB2A470J	CHIP R 47 J 1/10W		
VR1			R32-0039-05	SEMI FIXED VARIABLE RESISTOR		
VR2			R32-0040-05	SEMI FIXED VARIABLE RESISTOR		
VR3			R32-0039-05	SEMI FIXED VARIABLE RESISTOR		
S1			S31-2132-05	SLIDE SWITCH		
D1~6			MA111	DIODE		
D10			UDZ6.8B	ZENER DIODE		
D11			UDZ4.7B	ZENER DIODE		
D12			UDZ5.6B	ZENER DIODE		
D13, 14			MA111	DIODE		
D20~22			MA111	DIODE		
D31			UDZ5.6B	ZENER DIODE		
D32			UDZ24B	ZENER DIODE		
D33~35			MA111	DIODE		
D36			D5SBA20F03	DIODE		
D37, 38			S5688B(TPB5)	DIODE		
D39, 40			MA111	DIODE		
IC1			CXA1782BQ	IC(RF SERVO)		
IC2			CXD2500BQ	IC(DIGITAL SIGNAL PROCESSOR)		
IC3			BA5936S	ANALOGUE IC		
IC4			PST993D-T	ANALOGUE IC		
IC6			ICP-N10	ANALOGUE IC		
IC7		*	SI-3050J	ANALOGUE IC		
IC8			PCM1717E	MOS-IC		
IC9, 10			NJM4565M	IC(OP AMP X2)		
IC11			ES3210F	MOS-IC		
IC12			ES3209F	MOS-IC		
IC13			MSM514260C-60	MEMORY IC		

L : Scandinavia

K : USA

P : Canada

R : Mexico

C : China

I : Malaysia

Y : PX(Far East, Hawaii)

T : Europe

E : Europe

G : Germany

V : China(Shanghai)

Y : AAFES(Europe)

X : Australia

Q : Russia

H : Korea

M : Other Areas

△ indicates safety critical components.

* New Parts

Parts without **Parts No.** are not supplied.Les articles non mentionnés dans le **Parts No.** ne sont pas fournis.Teile ohne **Parts No.** werden nicht geliefert.

⑧

Ref. No	Add-ress	New Parts	Parts No.	Description	Desti-nation	Re-marks
IC14			MSM534001E-19	CUSTOM IC		
IC15			PQ20VZ11	ANALOGUE IC		
IC16		*	GAL16V8D25LP01	CUSTOM IC		
IC17			TC74HC166AF	MOS-IC		
Q1			2SC1740S(Q,R)	TRANSISTOR		
Q1			2SC2785(F,E)	TRANSISTOR		
Q2			2SA954(L,K)	TRANSISTOR		
Q3, 4			DTA124EUA	DIGITAL TRANSISTOR		
Q3, 4			UN5112	DIGITAL TRANSISTOR		
Q7, 8			DTC124EUA	DIGITAL TRANSISTOR		
Q7, 8			UN5212	DIGITAL TRANSISTOR		
Q10			DTC124EUA	DIGITAL TRANSISTOR		
Q10			UN5212	DIGITAL TRANSISTOR		
Q13			2SA1534A(R,S)	TRANSISTOR		
Q14			2SB1370	TRANSISTOR		
Q14			2SB1375	TRANSISTOR		
Q15			2SA1576A(R,S)	TRANSISTOR		
Q15			2SB1218A(Q,R)	TRANSISTOR		
Q16			2SC2878(B)	TRANSISTOR		
Q21, 22			2SC2878(B)	TRANSISTOR		
Q23			DTC124EUA	DIGITAL TRANSISTOR		
Q23			UN5212	DIGITAL TRANSISTOR		
Q31~33			2SA1576A(R,S)	TRANSISTOR		
Q31~33			2SB1218A(Q,R)	TRANSISTOR		
Q34, 35			2SC3246	TRANSISTOR		
CD MECHANISM ASSY (D40-1562-15)						
101	3B		A10-3119-08	CHASSIS (MAIN)		
102	3A	*	A15-0089-18	FRAME (MD-B)		
105	2A		D10-3533-08	SLIDER (LIFT)		
107	2B		D10-3459-08	LEVER (LOCK)		
108	2A		D10-3638-08	LEVER (BRAKE)		
109	2B		D10-3496-18	FRICTION ARM ASSY		
110	2A		D10-3659-04	FEED SHAFT		
113	1A		D13-1599-08	GEAR (IDLER)		
114	2B		D13-1600-08	GEAR (LOAD)		
115	2B		D13-1601-08	GEAR (CENTER)		
117	3A		D13-1603-08	CAM GEAR (UP/DOWN)		
118	1A		D13-1604-08	GEAR (HELICAL)		
119	2A		D13-1765-03	GEAR (DRIVING)		
120	2B, 3B		D14-0361-08	ROLLER (TRAY)		
122	2B		D15-0366-08	PULLEY (LOAD)		
123	2B		D16-0363-08	DRIVE BELT		
125	2B		D21-1762-08	SHAFT (PULLEY)		
126	2A		D13-1763-04	GEAR (MIDDLE)		
132	2A, 2B		E35-0811-08	3P WIRE		
133	3B		E35-1184-08	6P WIRE		
134	2A		E35-1185-08	6P FLAT WIRE		
135	3A		E35-1186-08	6P WIRE (TU-D)		
136	3A		E35-1187-08	16P FLAT CABLE		
137	3A		E40-3264-05	CONNECTOR		
140	1A		F07-0773-08	COVER (TRAY)		
141	2A		N19-1441-08	WASHER		
142	1B		N19-1380-05	WASHER		
143	2A		N19-1435-05	FLAT WASHER		

L : Scandinavia

K : USA

P : Canada

R : Mexico

C : China

I : Malaysia

Y : PX(Far East, Hawaii)

T : Europe

E : Europe

G : Germany

V : China(Shanghai)

Y : AAFES(Europe)

X : Australia

Q : Russia

H : Korea

M : Other Areas

△ indicates safety critical components.

* New Parts
 Parts without **Parts No.** are not supplied.
 Les articles non mentionnés dans le **Parts No.** ne sont pas fournis.
 Teile ohne **Parts No.** werden nicht geliefert.

9

Ref. No	Add-ress	New Parts	Parts No.	Description	Desti-nation	Re-marks
144	2B		G11-2260-08	SHEET(CLAMPER)		
145	3A		G01-3806-18	SPRING (MD-H)		
146	3A		G01-3807-18	SPRING (MD-H)		
147	2B	*	G11-2287-05	CUSHION		
148	3A		G01-3663-08	SPRING (CAM)		
149	2B		G01-3664-08	SPRING (LOCK)		
150	2A		G01-3931-08	SPRING (BRAKE)		
151	2A		G01-3768-08	SPRING (LIFT)		
152	1A, 1B		G16-0821-04	SHEET (TRAY)		
153	3B		G16-0856-08	FILAMENT TAPE		
155	2A		J02-1133-08	INSULATOR		
156	2B		J11-0813-08	CLAMPER		
157	1B		J19-3758-08	BRACKET (CLAMP)		
158	2B		J19-3660-08	BRACKET (GEAR)		
159	2B, 3B		J19-3661-08	BRACKET (TRAY)		
160	3B		J61-0081-05	SK BINDER SKB-100		
161	1A		J99-0541-08	TRAY (SLIDE)		
162	1A		J99-0542-08	TRAY (ROTARY)		
163	2A		J90-0844-03	GUIDE (RAIL)		
L			N09-2658-08	SCREW		
M			N09-3053-08	SCREW		
N			N09-3489-08	SCREW		
P			N09-3140-08	SCREW		
Q			N09-3141-08	SCREW		
165	2B		S33-2061-05	LEVER SWITCH		
166	1A, 2A	*	S64-0025-18	LEVER SWITCH	MXS00621NLBO	
167	3A		S74-0065-05	LEAF SWITCH		
171	1B		T99-0544-05	MAGNET		
DM	3A		A11-1114-08	T T CHASSIS ASSY		
FM	3A		T42-0872-08	FEED MOTOR ASSY		
LM	3B		T42-0682-08	MOTOR PULLEY ASSY		
PU	3A		T25-0050-05	PICKUP (KCP1H)		
RTM	2B		T42-0683-08	MOTOR WORM ASSY		

L : Scandinavia K : USA P : Canada R : Mexico C : China I : Malaysia
 Y : PX(Far East, Hawaii) T : Europe E : Europe G : Germany V : China(Shanghai)
 Y : AAFES(Europe) X : Australia Q : Russia H : Korea M : Other Areas Δ indicates safety critical components.

PARTS LIST

DPF-K6010V

DPF-K6010V

SPECIFICATIONS

[Format]

System Compact disc digital audio system
Laser Semiconductor laser

[D/A Convertors]

D/A Conversion 1 Bit
Oversampling 8 fs (352.8 kHz)

[Audio]

Frequency response 20 Hz – 20 kHz, ± 0.5 dB
Signal to noise ratio More than 95 dB
Dynamic range More than 92 dB
Total harmonic distortion + noise
..... Less than 0.007% (at 1 kHz)
Wow & flutter Unmeasurable Limit
Output level/impedance
Variable 2 V/1.1 k Ω
Video output format PAL/NTSC
Video output level 1Vp-p (75 Ω)

[General]

Power consumption 25 W
Dimensions W: 440 mm (17-5/16")
H: 123 mm (4-13/16")
D: 367 mm (14-7/16")
Weight (Net) 5.2 kg (11.0 lb)



1. KENWOOD follows a policy of continuous advancements in development. For this reason specifications may be changed without notice.
2. The full performance may not be exhibited in an extremely cold location (under a water-freezing temperature).

Note:

Component and circuit are subject to modification to insure best operation under differing local conditions. This manual is based on Europe (E) standard, and provides information on regional circuit modification through use of alternate schematic diagrams, and information on regional component variations through use of parts list.

KENWOOD CORPORATION

14-6, Dogenzaka 1-chome, Shibuya-ku, Tokyo, 150-8501 Japan

KENWOOD SERVICE CORPORATION

P.O. BOX 22745, 2201 East Dominguez St., Long Beach, CA 90801-5745, U.S.A.

KENWOOD ELECTRONICS CANADA INC.

6070 Kestrel Road, Mississauga, Ontario, Canada L5T 1S8

KENWOOD ELECTRONICS LATIN AMERICA S.A.

P.O. BOX 55-2791, Piso 6 plaza Chase, Cl. 47 y Aquilino de la Guardia Panama, Republic de Panama

KENWOOD ELECTRONICS BRASIL LTDA.

Av Indianópolis, 628, 04062-001 Planalto Paullista São Paulo-SP-Brasil

KENWOOD ELECTRONICS U.K. LIMITED

KENWOOD House, Dwight Road, Watford, Herts., WD1 8EB., United Kingdom

KENWOOD ELECTRONICS BELGUM N.V.

Meachelsesteenweg 418, B-1930 Zaventem, Belgium

KENWOOD ELECTRONICS DEUTSCHLAND GMBH

Rembrücker Str. 15, 63150 Heusenstamm, Germany

KENWOOD ELECTRONICS FRANCE S.A.

13 Boulevard Ney, 75018 Paris, France

KENWOOD ELECTRONICS ITALIA S.p.A.

Via G. Sirtori, 7/9 20129, Milano, Italy

KENWOOD IBÉRICA S.A.

Bolivia, 239-08020 Barcelona, Spain

KENWOOD ELECTRONICS AUSTRALIA PTY. LTD.

(A.C.N. 001499 074)
P.O. Box 504, 8 Figtree Drive, Australia Centre, Homebush, N.S.W. 2140, Australia

KENWOOD & LEE ELECTRONICS, LTD.

Unit 3712-3724, Level 37, Tower 1, Metroplaza, 223 Hing Fong Road, Kwai Fong N.T., Hong Kong

KENWOOD ELECTRONICS GULF FZE

P.O. Box 61318, Jebel Ali, Dubai, U.A.E.

KENWOOD ELECTRONICS SINGAPORE PTE LTD.

No. 1 Genting Lane #02-02, KENWOOD Building, Singapore, 349544

KENWOOD ELECTRONICS (MALAYSIA) SDN BHD.

#4.01 Level 4, Wisma Academy Lot 4A, Jalan 19/1 46300 Petaling Jaya Selangor Darul Ehsan Malaysia

KENWOOD ELECTRONICS (THAILAND) CO., LTD.

573/111 Soi Ramkhamhaeng 39, Ramkhamhaeng Road, Wangthonglang, Bangkok, Bangkok 10301 Thailand